

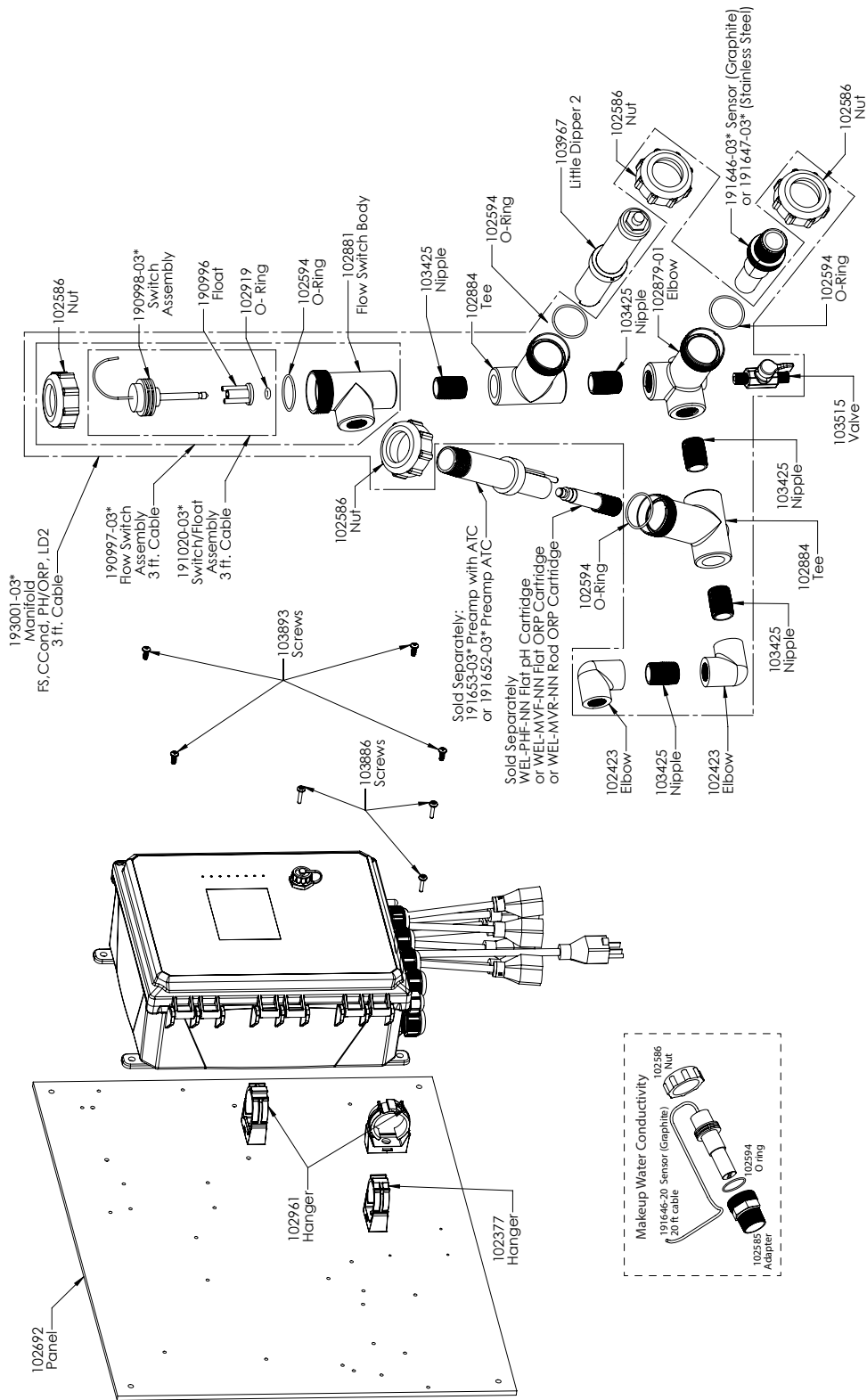
WCT900 Sensor Options PAFMNN, PBFMNN, PAHMNN, PBHMNN, PAIMNN, PBIMNN

PAFMNN: Graphite contacting conductivity + Flow Switch manifold on panel + WEL-PHF no ATC + LD2

PAHMNN: + WEL-MVR + LD2 **PAIMNN:** + WEL-MVF + LD2

PBFMNN: 316SS contacting conductivity + Flow Switch manifold on panel + WEL-PHF no ATC + LD2

PBHMNN: + WEL-MVR + LD2 **PBIMNN:** + WEL-MVF + LD2



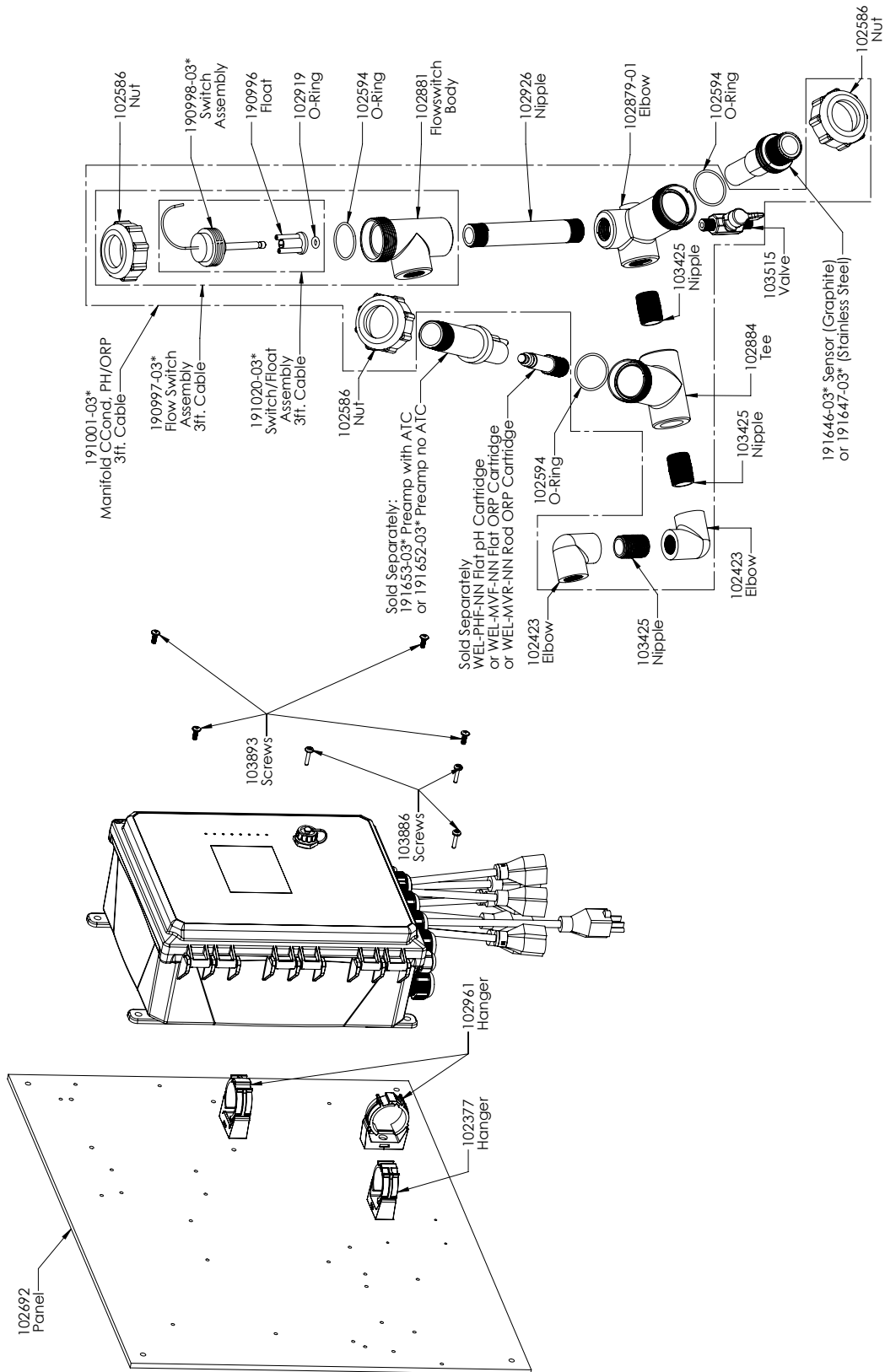
WCT900 Sensor Options PAEFMN, PBEFMN, PAEHMN, PBEHMN, PAEIMN, PBEIMN

PAEFMN: Graphite contacting conductivity + Flow Switch manifold on panel
 + Makeup Conductivity + WEL-PHF no ATC + LD2

PAEHMN: + WEL-MVR + LD2 **PAEIMN:** + WEL-MVF + LD2

PBEFMN: 316SS contacting conductivity + Flow Switch manifold on panel
 + Makeup Conductivity + WEL-PHF no ATC + LD2

PBEHMN: + WEL-MVR + LD2 **PBEIMN:** + WEL-MVF + LD2



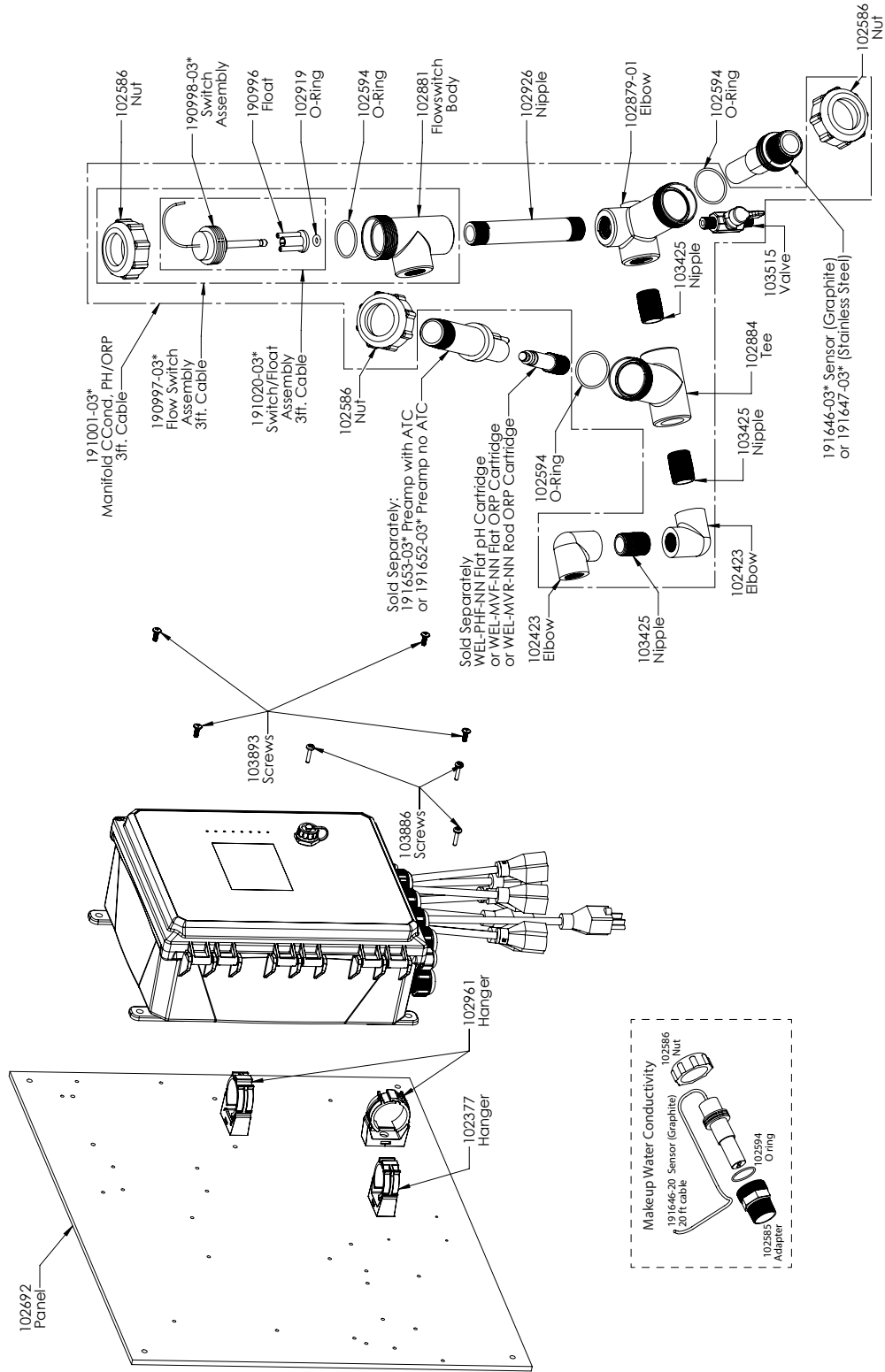
WCT900 Sensor Options PAFNNN, PBFNNN, PAHNNN, PBHNNN, PAINNN, PBINNN

PAFNNN: Graphite contacting conductivity + Flow Switch manifold on panel + WEL-PHF no ATC

PAHNNN: + WEL-MVR **PAINNN:** + WEL-MVF

PBFNNN: 316SS contacting conductivity + Flow Switch manifold on panel + WEL-PHF no ATC

PBHNNN: + WEL-MVR **PBINNN:** + WEL-MVF



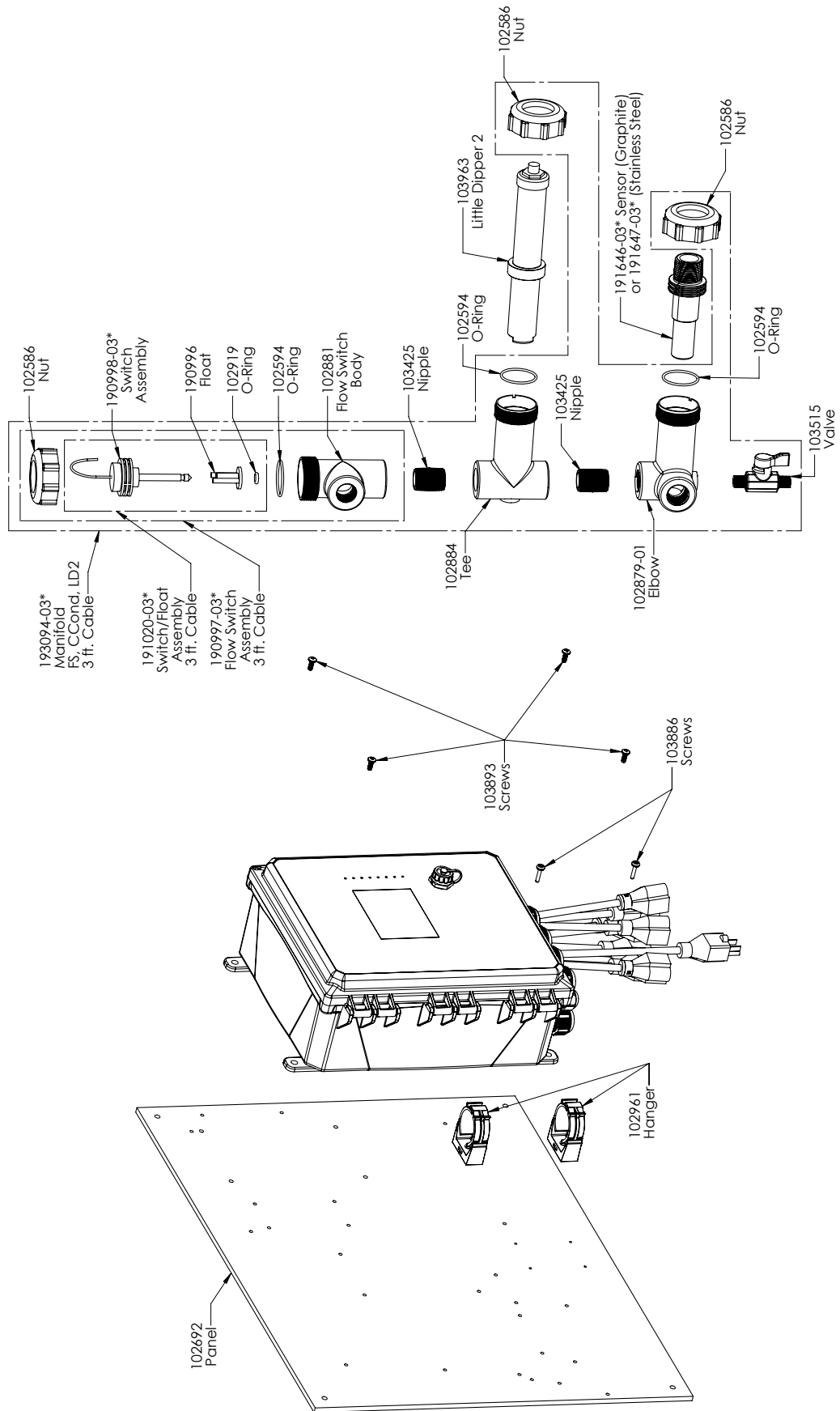
WCT900 Sensor Options PAEFNN, PBEFNN, PAEHNN, PBEHNN, PAEINN, PBEINN

PAEFNN: Graphite contacting conductivity + Flow Switch manifold on panel
+ Makeup Conductivity+ WEL-PHF no ATC

PAEHNN: + WEL-MVR **PAEINN:** + WEL-MVF

PBEFNN: 316SS contacting conductivity + Flow Switch manifold on panel
+ Makeup Conductivity + WEL-PHF no ATC

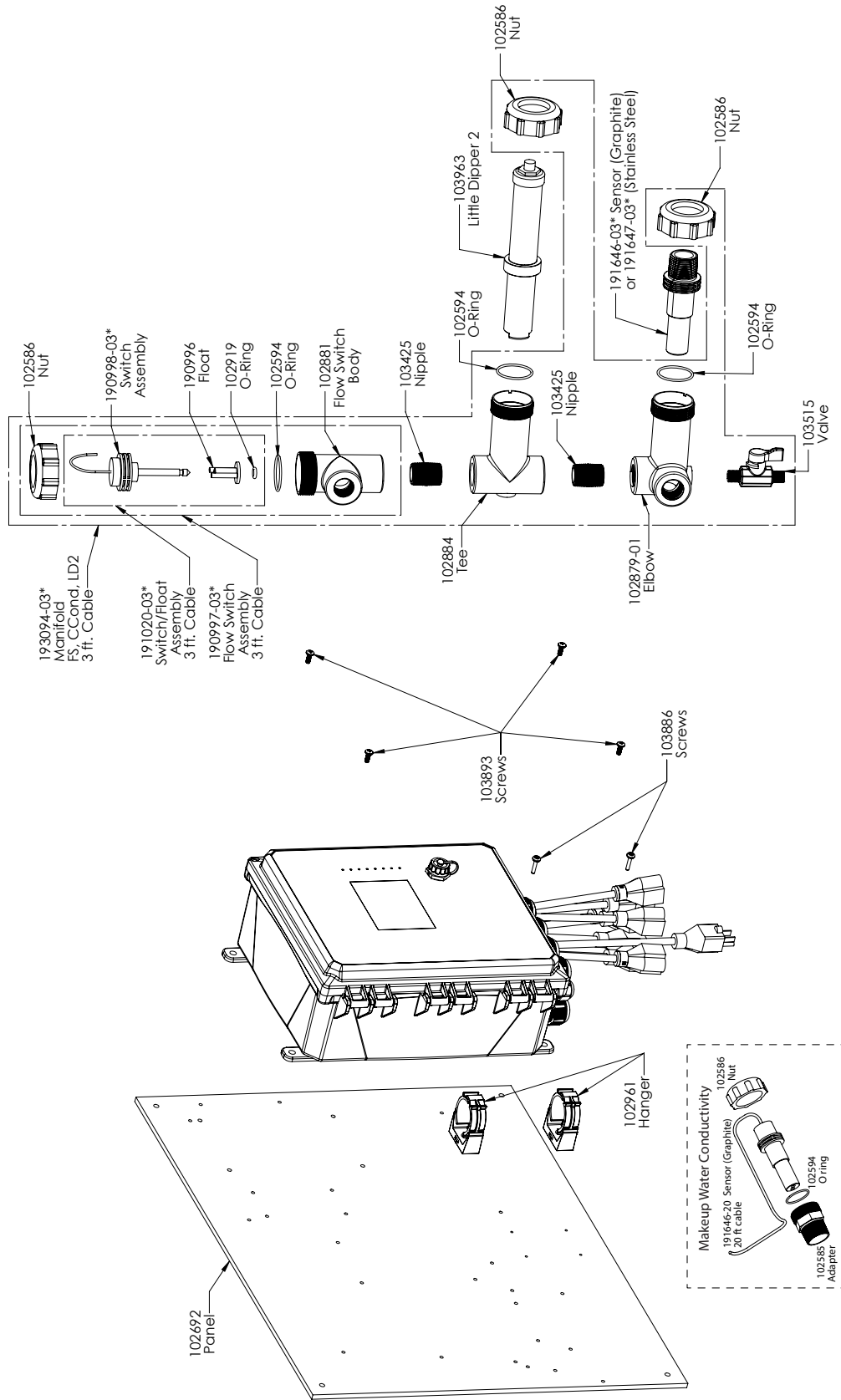
PBEHNN: + WEL-MVR **PBEINN:** + WEL-MVF



WCT900 Sensor Options PAMNNN, PBMNNN

PAMNNN: Graphite contacting conductivity + Flow Switch manifold on panel + LD2

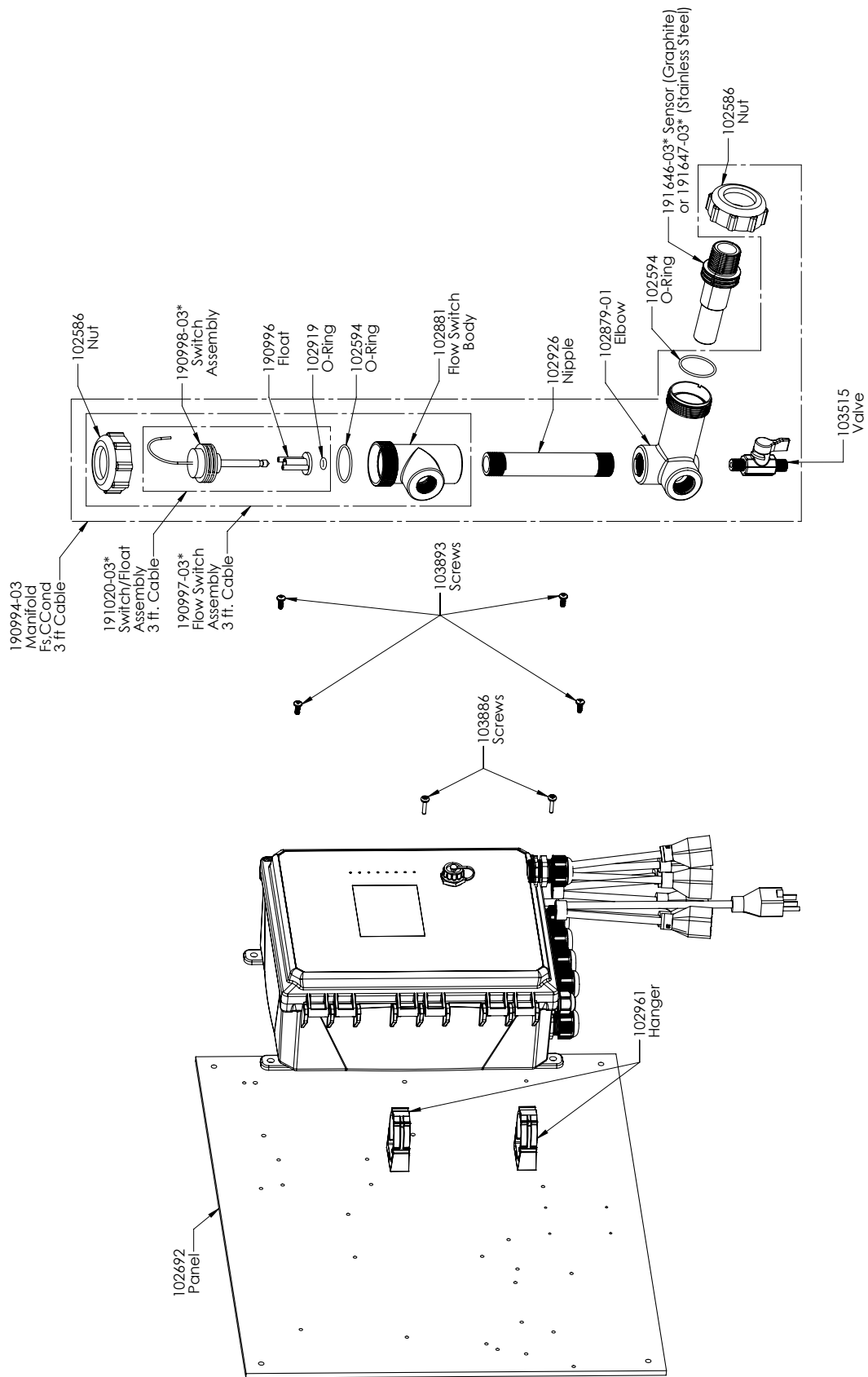
PBMNNN: 316SS contacting conductivity + Flow Switch manifold on panel + LD2



WCT900 Sensor Options PAEMNN, PBEMNN

PAEMNN: Graphite contacting conductivity + Flow Switch manifold on panel+ makeup sensor + LD2

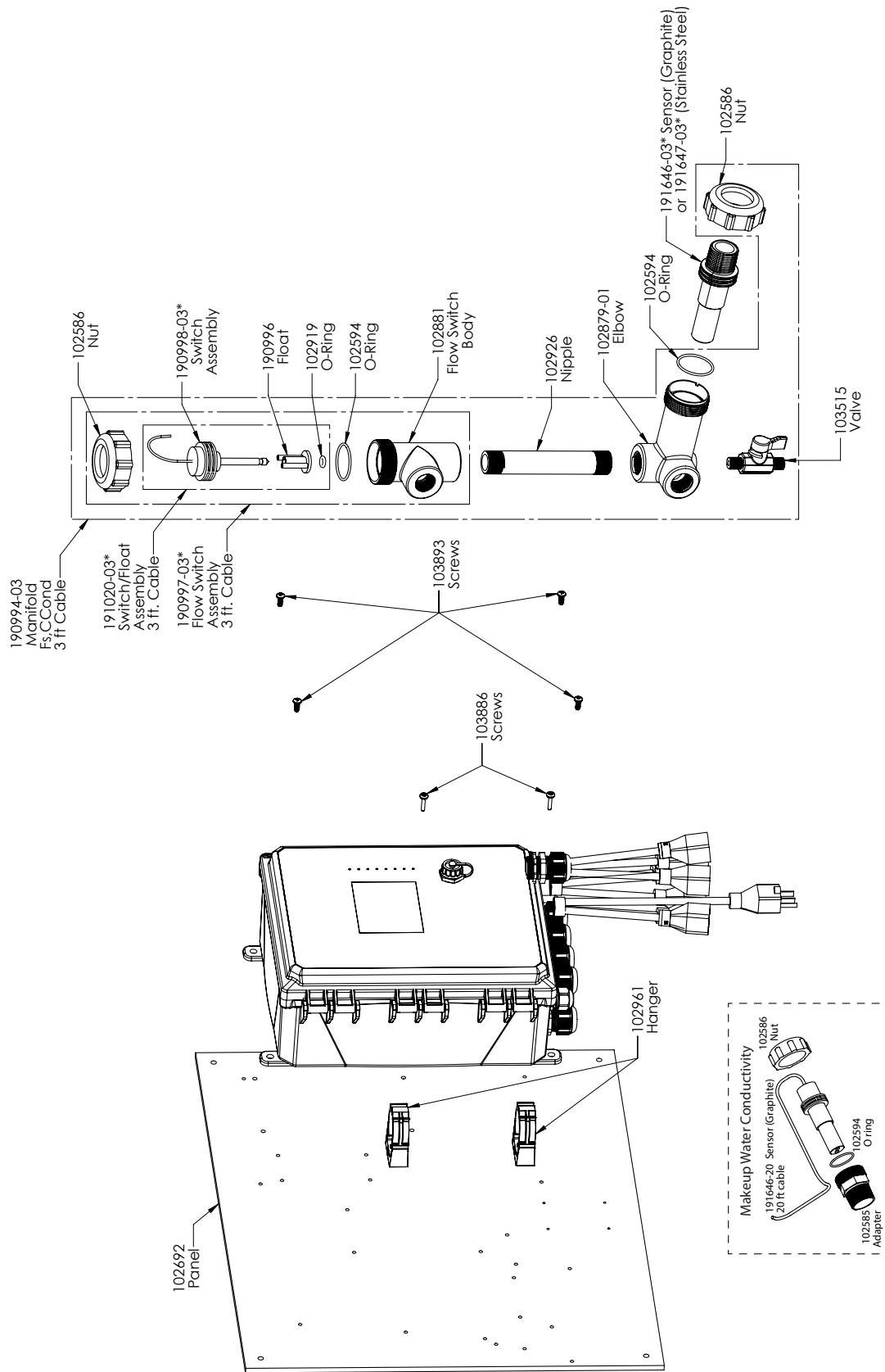
PBMNNN: 316SS contacting conductivity + Flow Switch manifold on panel + makeup sensor + LD2



WCT900 Sensor Options PANNNN, PBNNNN

PANNNN: Graphite contacting conductivity + Flow Switch manifold on panel

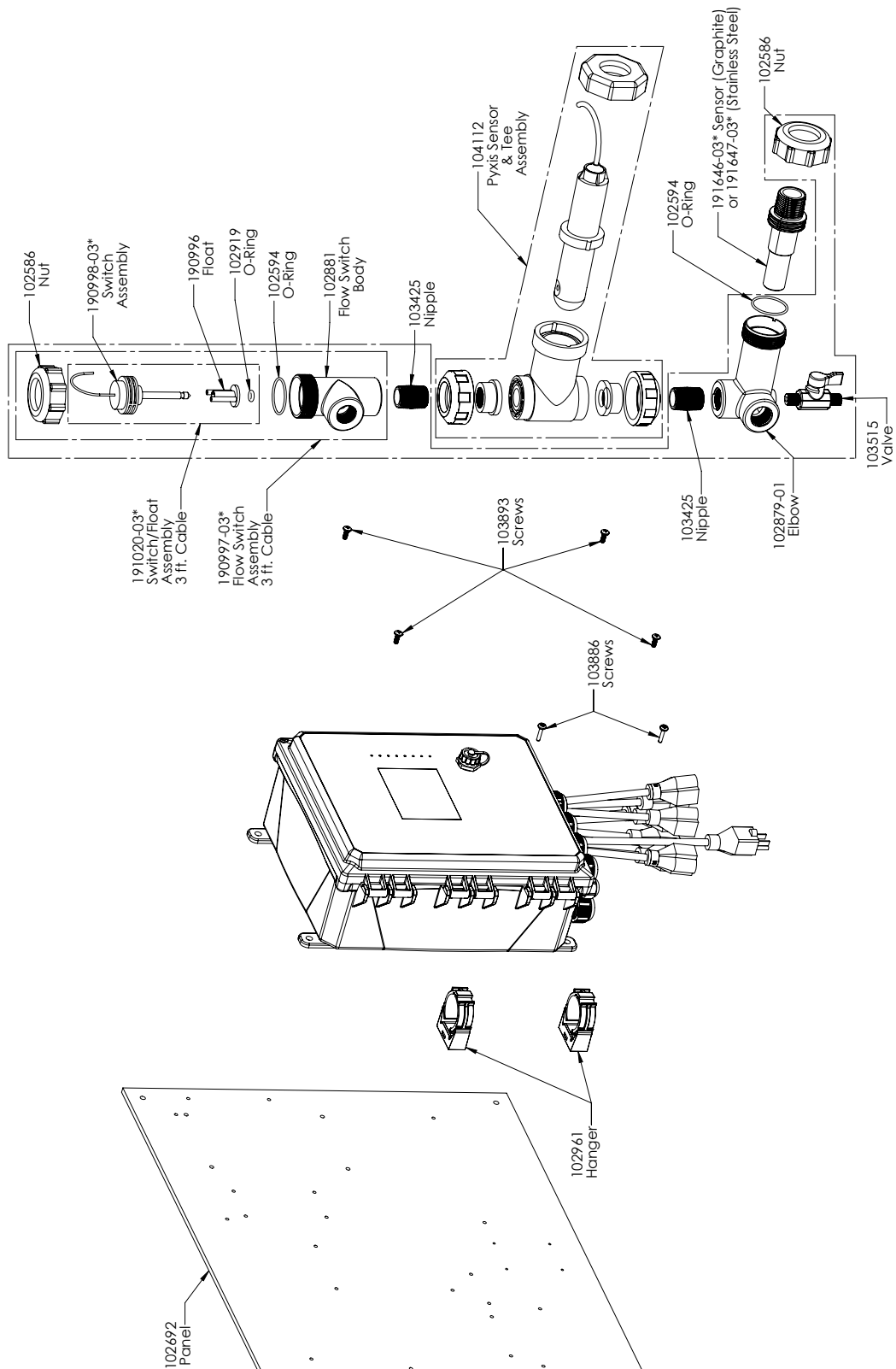
PBNNNN: 316SS contacting conductivity + Flow Switch manifold on panel



WCT900 Sensor Options PAENNN, PBENNN

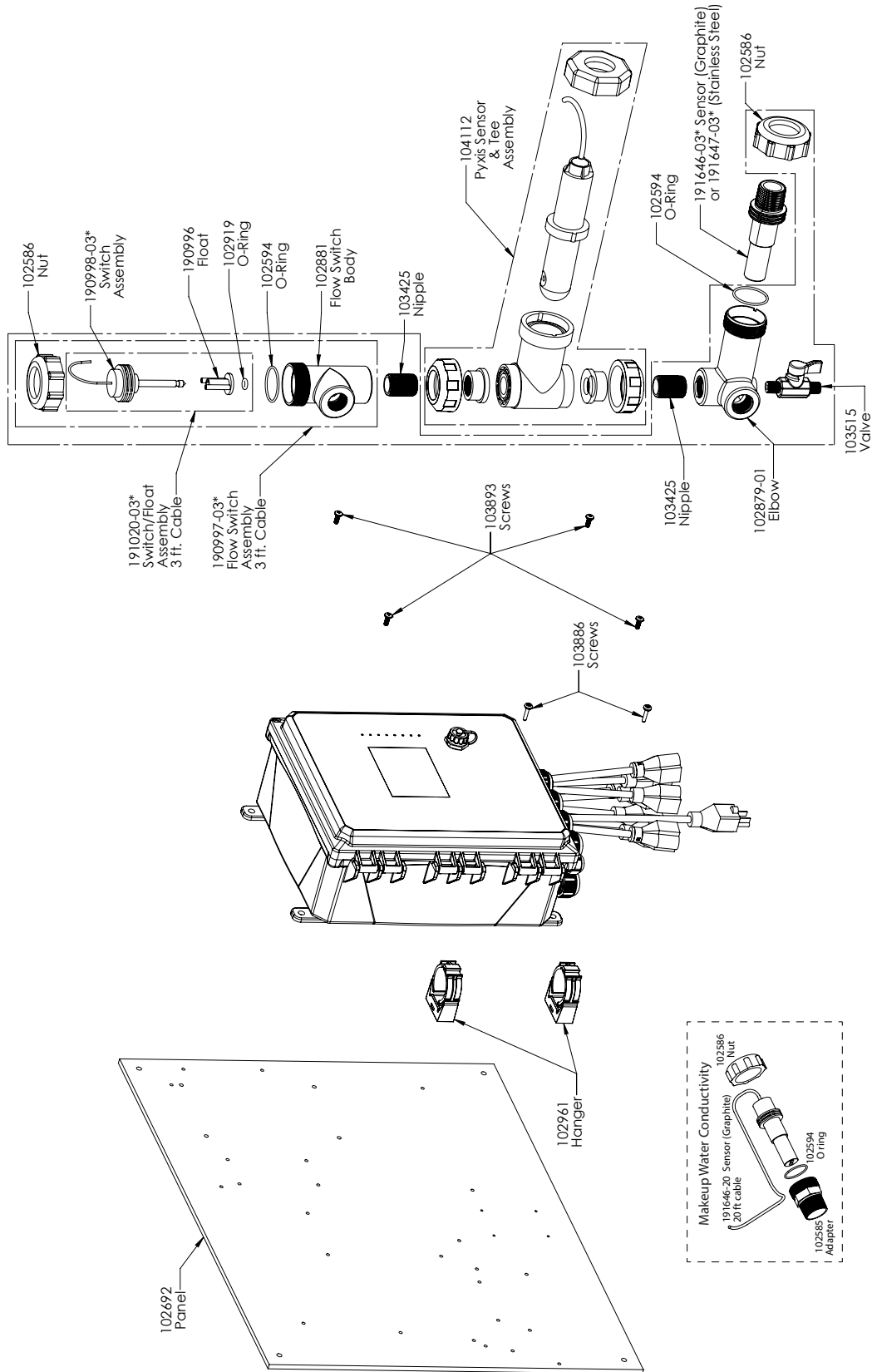
PAENNN: Graphite contacting conductivity + Flow Switch manifold on panel + makeup sensor

PBENNN: 316SS contacting conductivity + Flow Switch manifold on panel + makeup sensor



WCT900 Sensor Options PAPNNN, PBPNNN

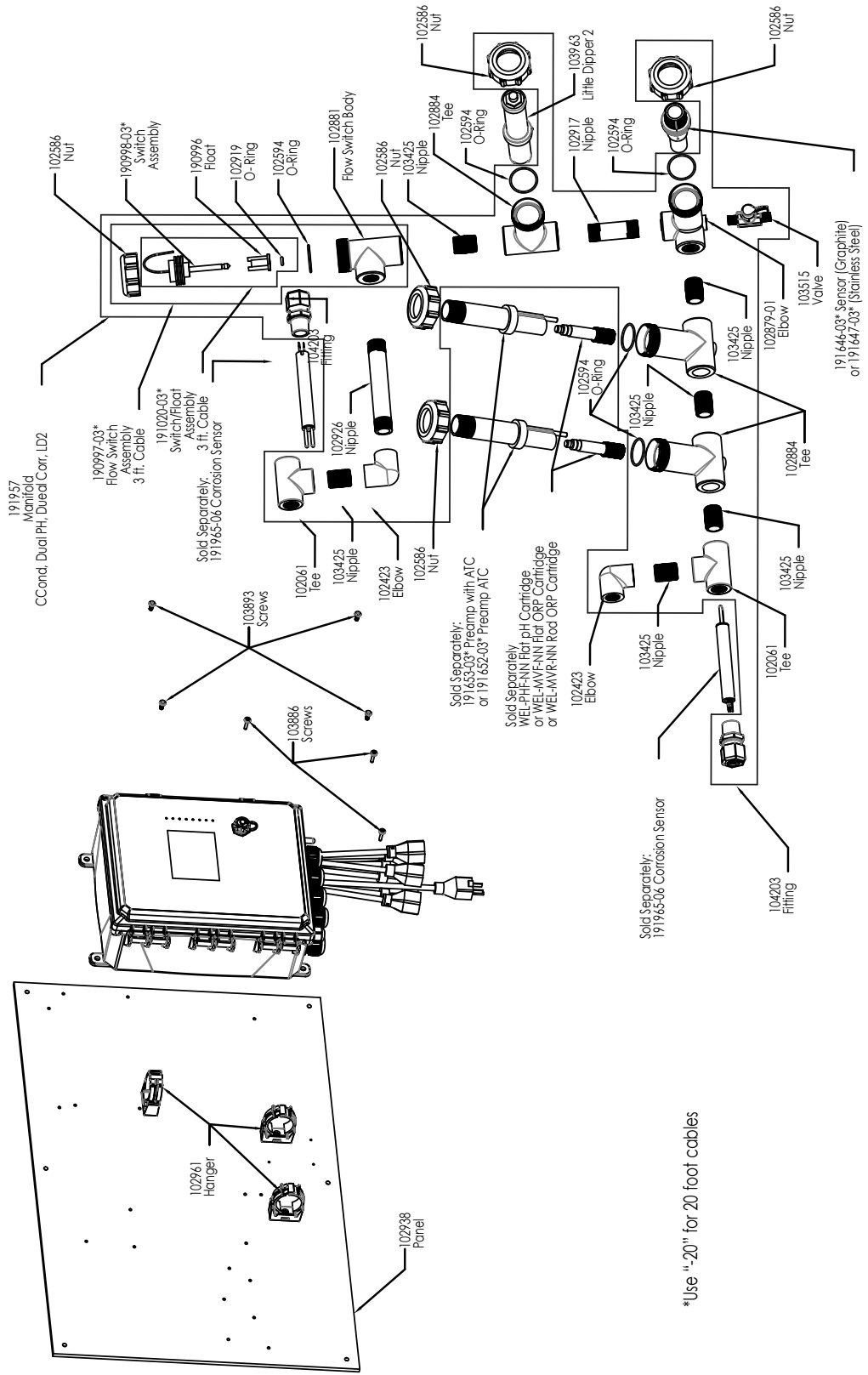
PAPNNN: Graphite contacting conductivity + Flow Switch manifold on panel + Pyxis
PBPNNN: 316SS contacting conductivity + Flow Switch manifold on panel + Pyxis



WCT900 Sensor Options PAEPNN, PBEPNN

PAEPNN: Graphite contacting conductivity + Flow Switch manifold on panel + Pyxis + makeup sensor

PBEPNN: 316SS contacting conductivity + Flow Switch manifold on panel + Pyxis + makeup sensor



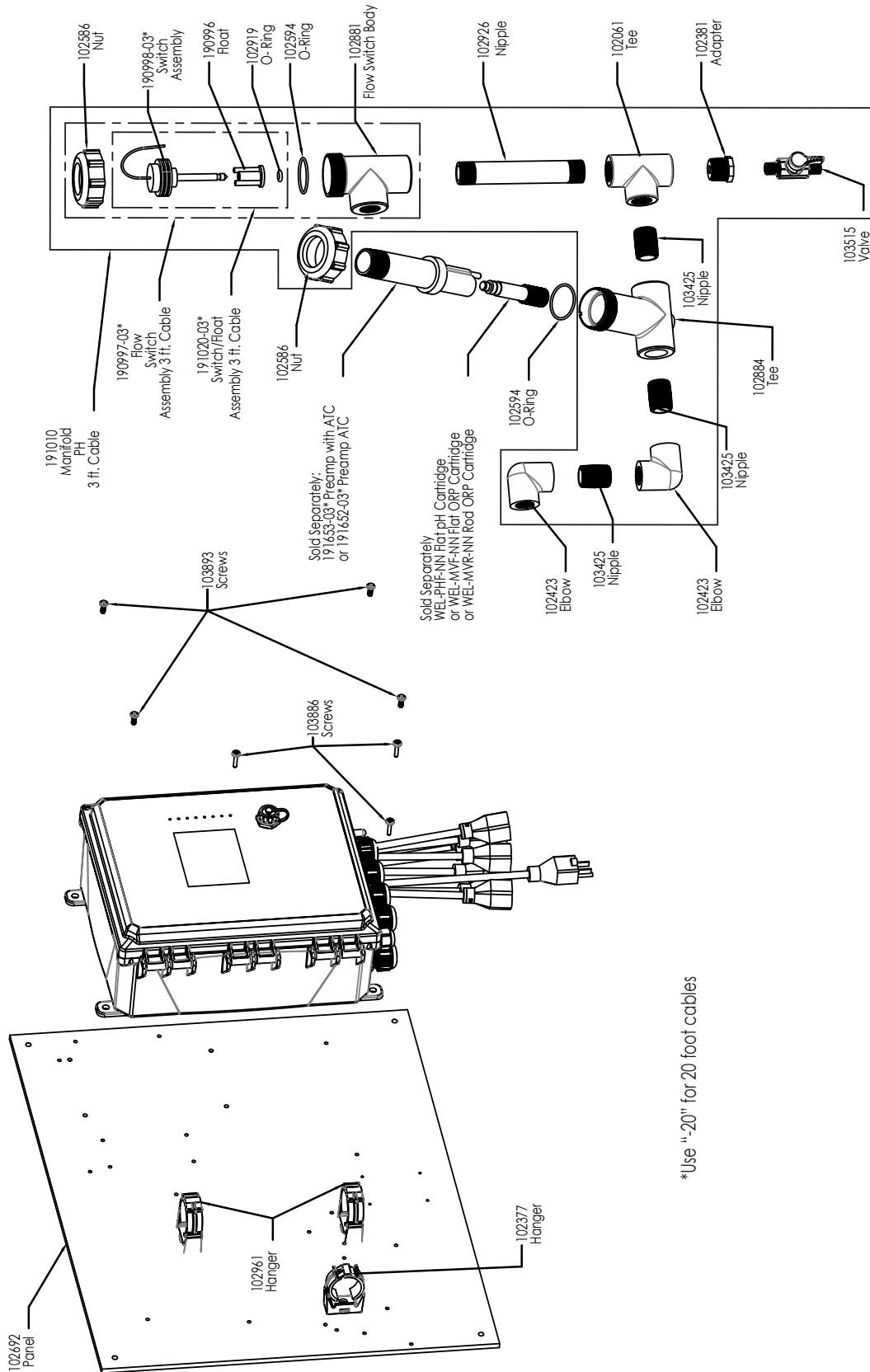
WCT90 Sensor Options PAFHMR, PBFHMR, PAFIMR, PBFIMR

PAFHMR: Graphite contacting conductivity + Flow Switch manifold on panel + WEL-PHF no ATC + Little Dipper 2 +Dual Corrosion + WEL-MVR

PAFIMR: + WEL-MVF

PBFHMR: 316SS contacting conductivity + Flow Switch manifold on panel+ WEL-PHF no ATC + Little Dipper 2 + Dual Corrosion + WEL-MVR

PBFIMR: + WEL-MVF



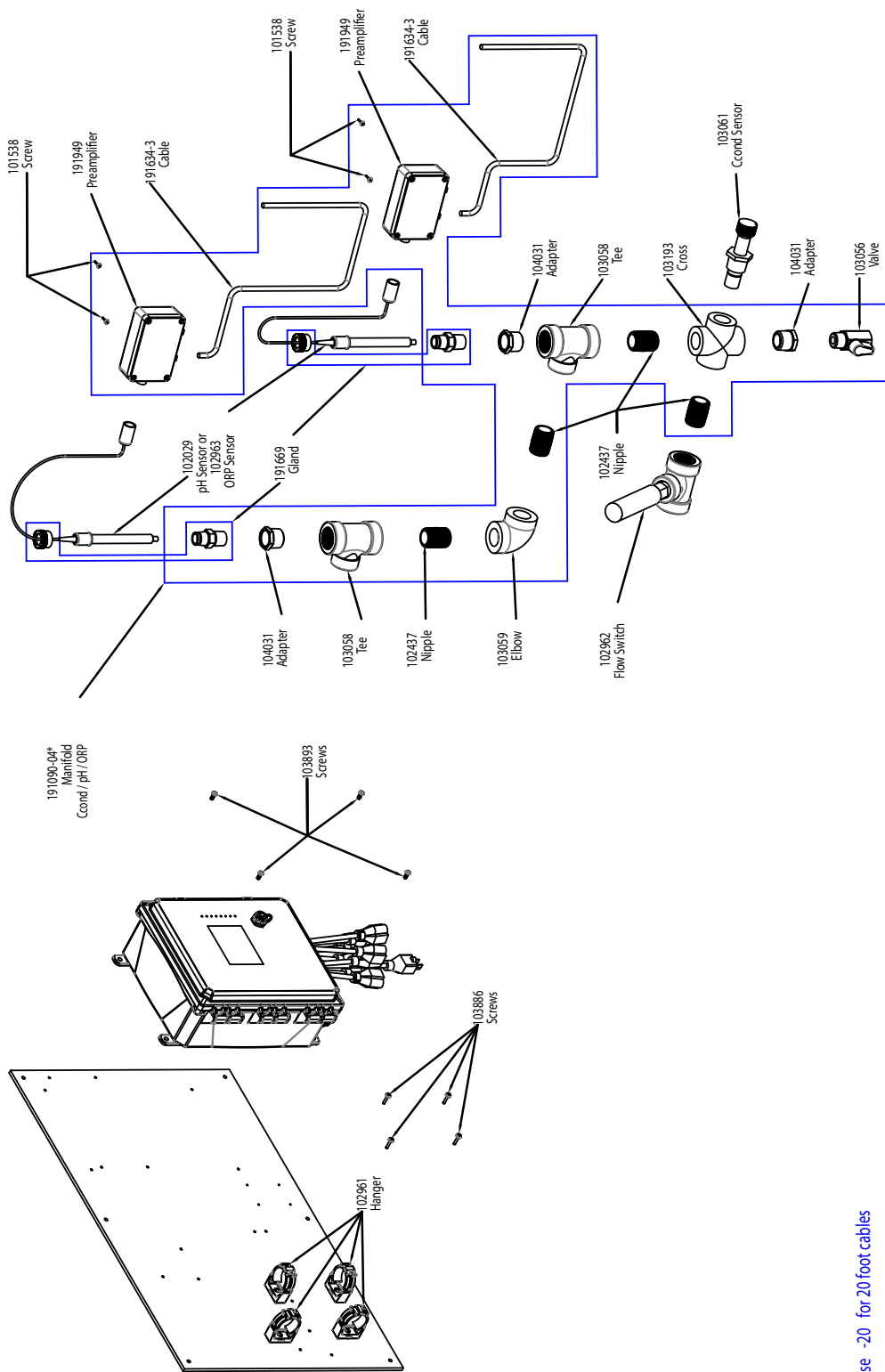
WCT900 Sensor Options PFNNNN, PHNNNN, PINNNN and WIN900 Sensor Option PBNNNN

W900-CT-PFNNNN: Flow Switch manifold on panel + WEL-PHF no ATC

PHNNNN: + WEL-MVR

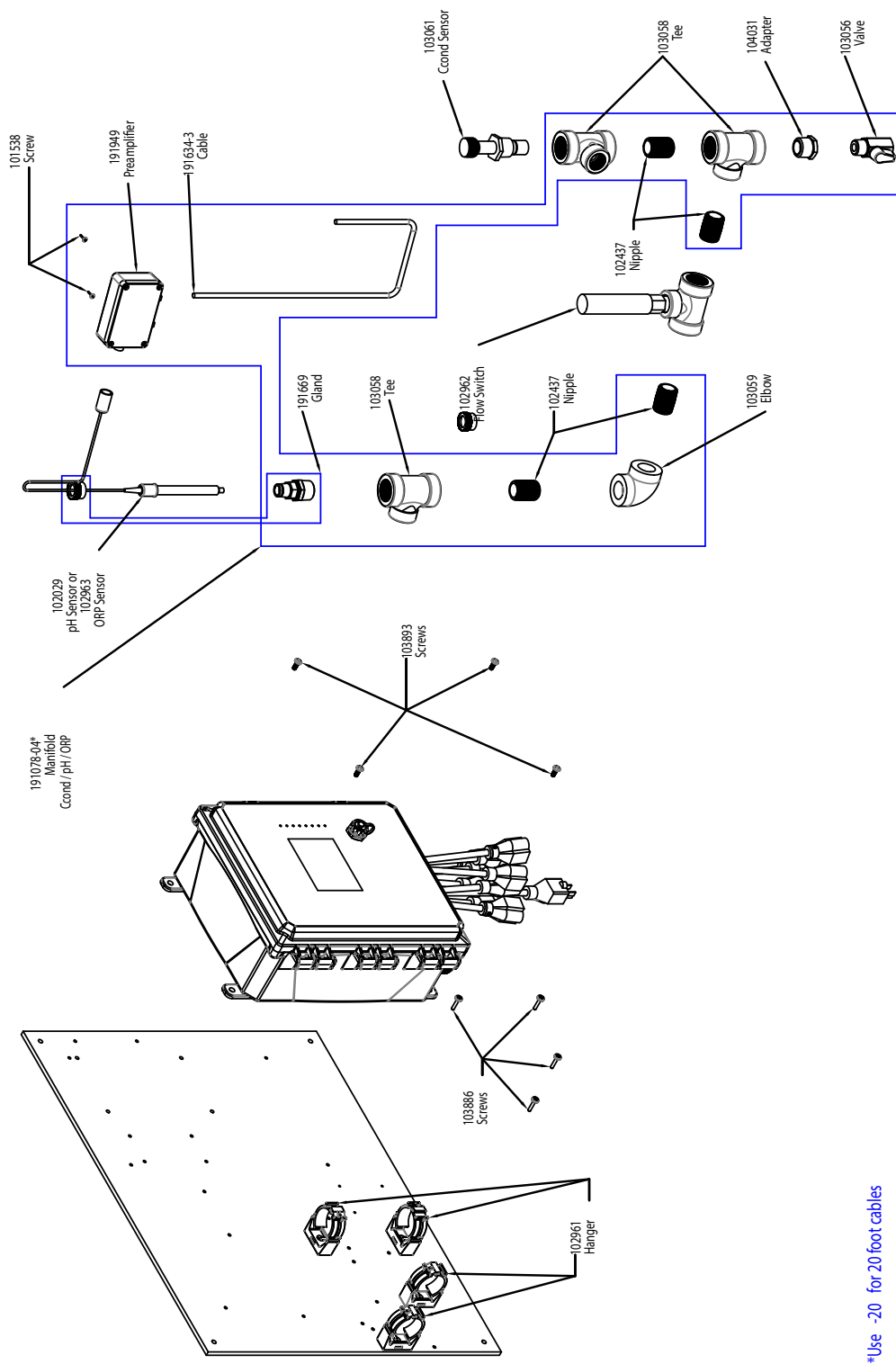
PINNNN: + WEL-MVF

W900-IN-PBNNNN: Flow Switch manifold on panel + WEL-PHF with ATC



WCT900 Sensor Option HDGJNN

HDGJNN: High Pressure conductivity + pH + ORP + Flow Switch manifold on panel

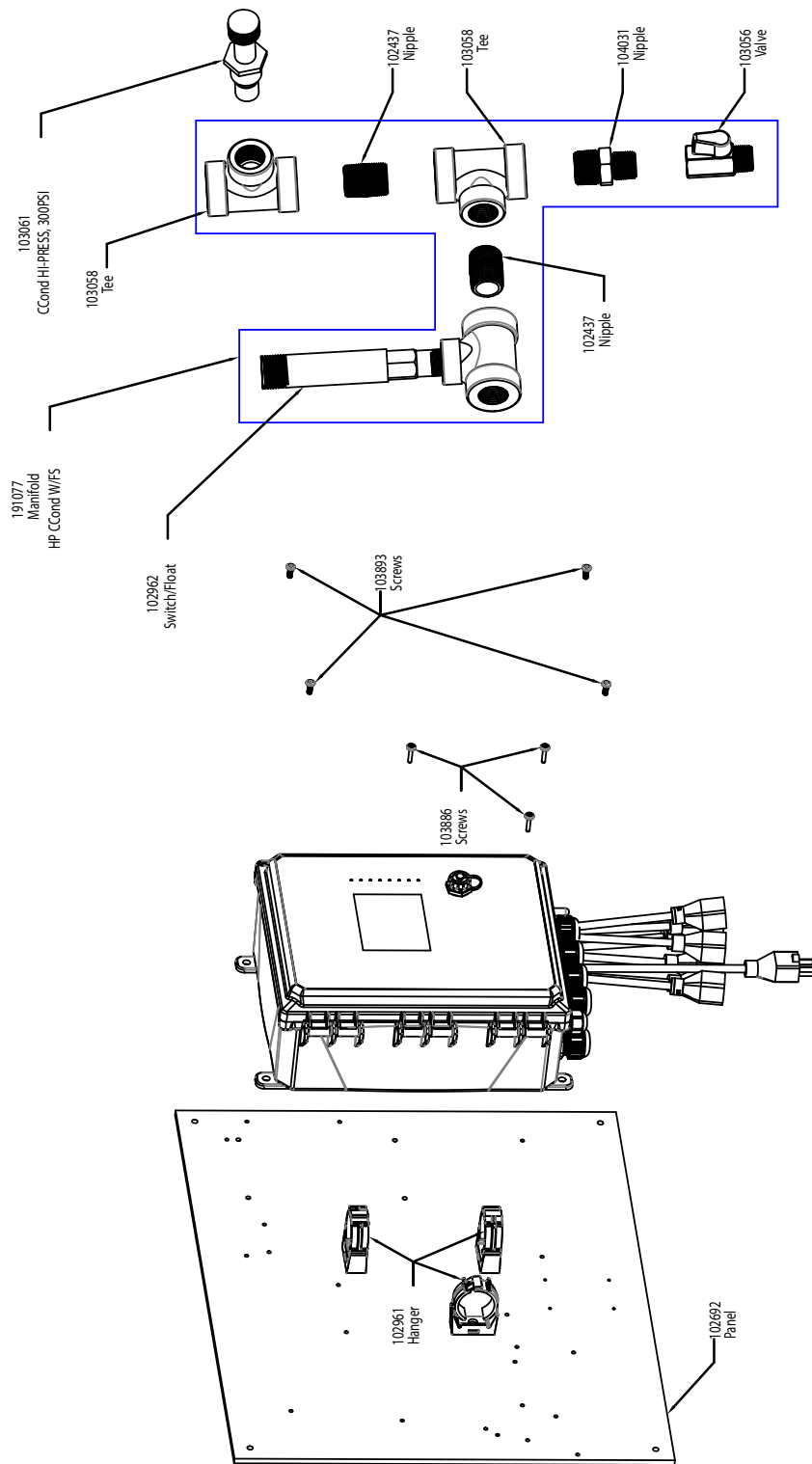


*Use -20 for 20 foot cables

WCT900 Sensor Options HDGNNN, HDJNNN

HDGNNN: High Pressure Conductivity + pH + Flow Switch manifold on panel

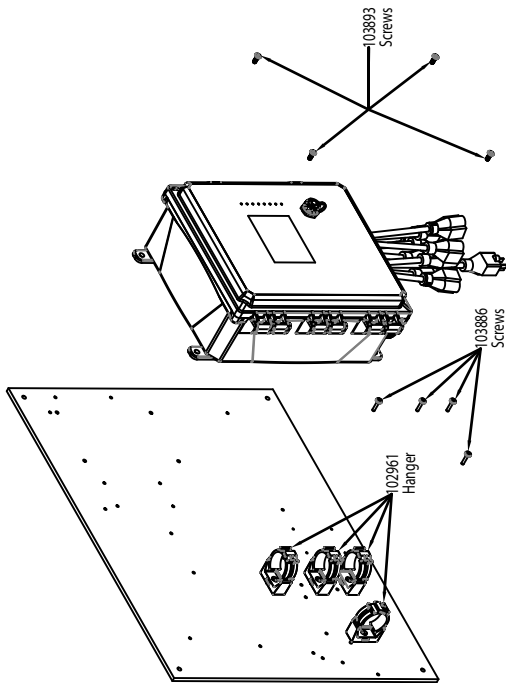
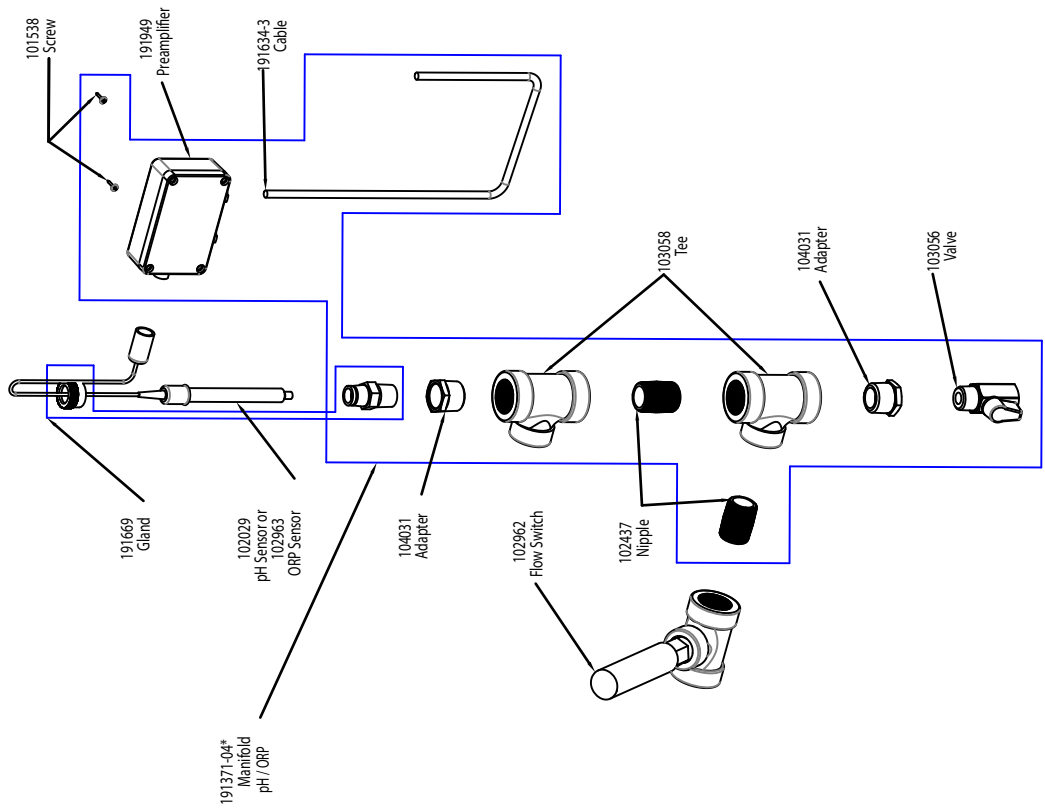
HDJNNN: High Pressure Conductivity + ORP + Flow Switch manifold on panel



SOLIDWORKS Educational Product.
For Instructional Use Only.

WCT90 Sensor Option HDNNNN

HDNNNN: High Pressure conductivity + Flow Switch manifold on panel

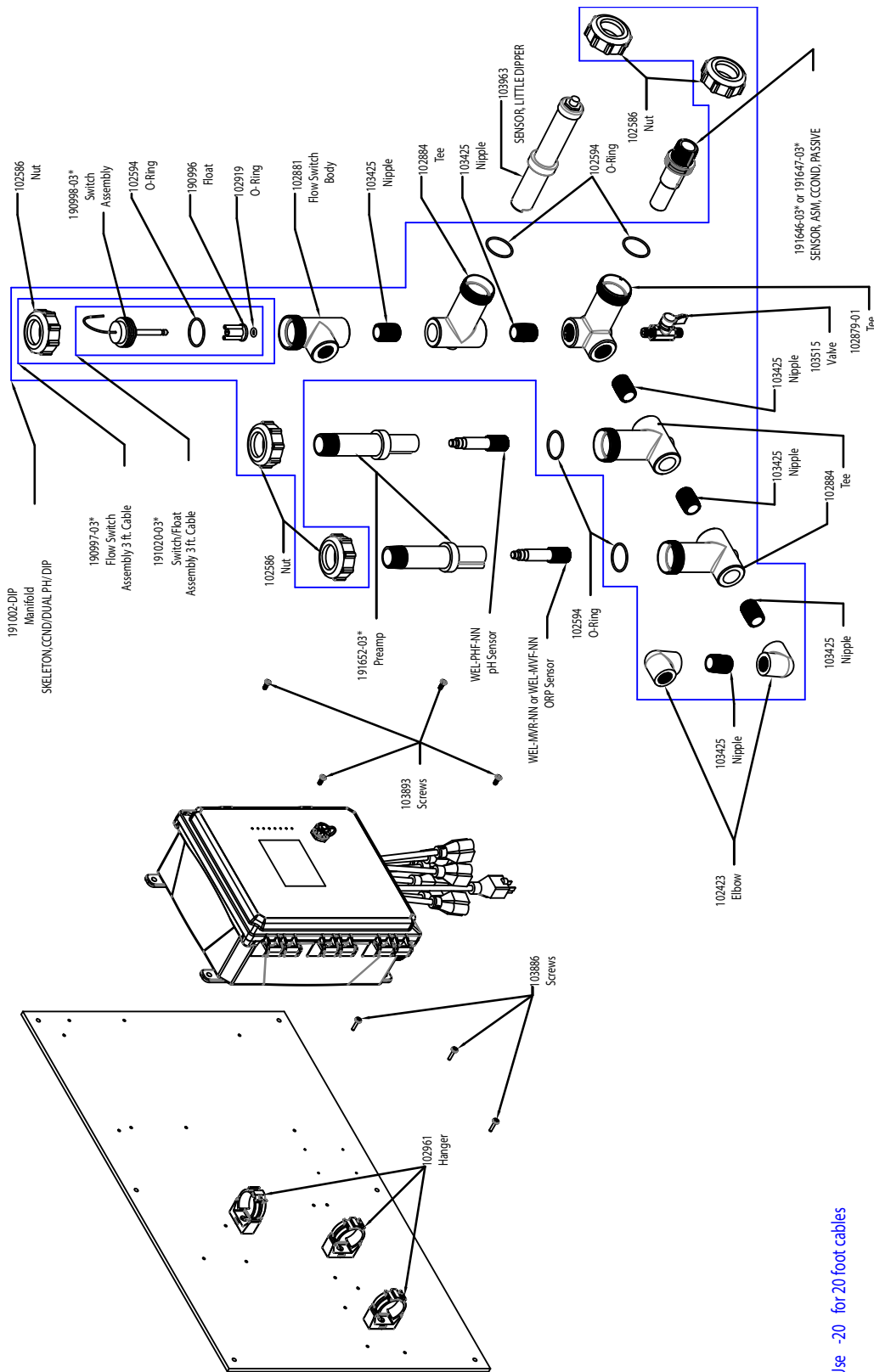


*Use -20 for 20 foot cables

WCT900 Sensor Options HGNNNN, HJNNNN

HGNNNN: High Pressure pH + Flow Switch manifold on panel

HJNNNN: High Pressure ORP + Flow Switch manifold on panel



*Use -20 for 20 foot cables

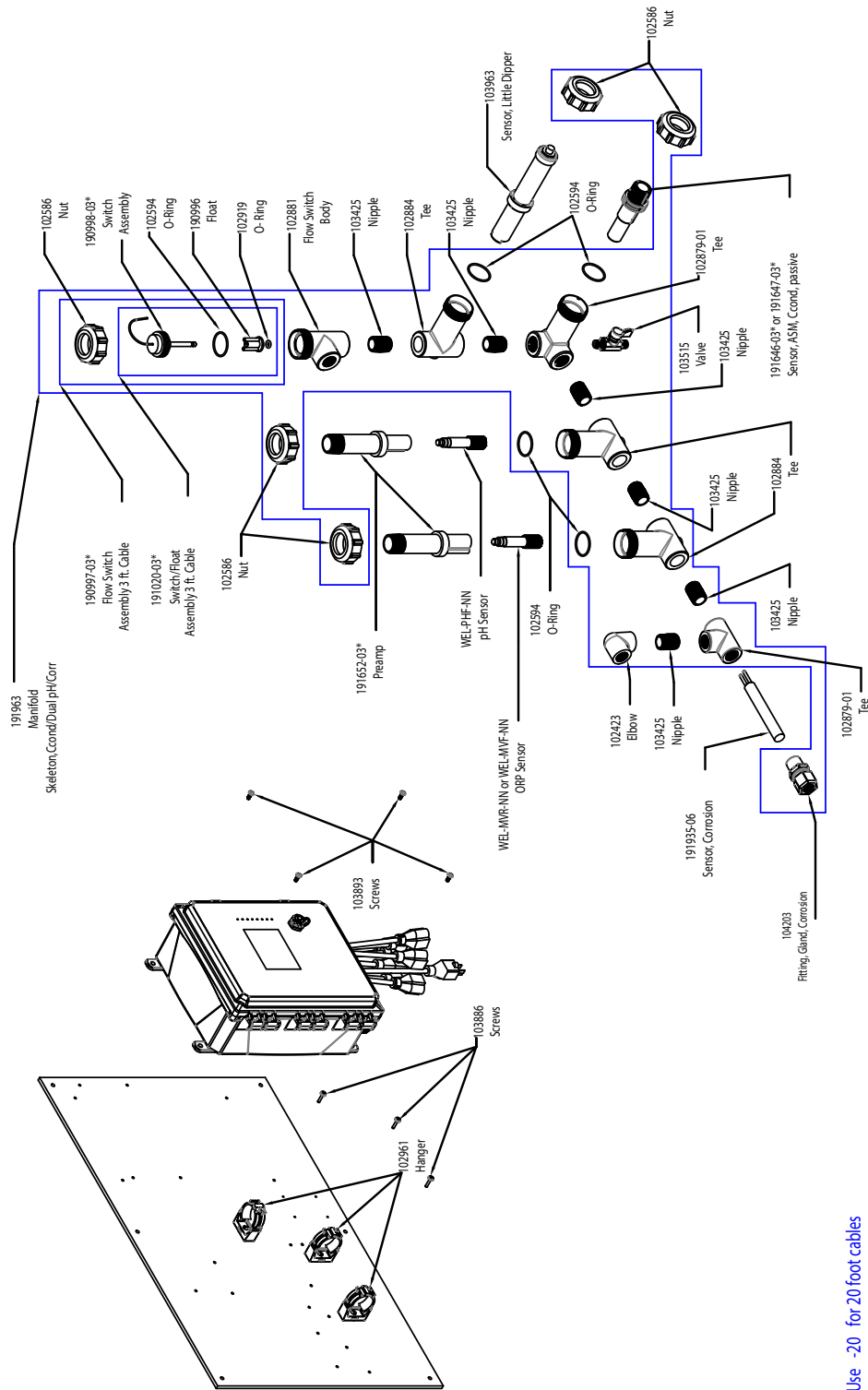
WCT900 Sensor Options PAFHMN, PBFHMN, PAFIMN, PBFIMN

PAFHMN: Graphite contacting conductivity + pH + LD2 + Flow Switch manifold on panel + Rod ORP

PAFIMN: + Flat ORP

PBFIMN: 316SS contacting conductivity + pH + LD2 + Flow Switch manifold on panel + Flat ORP

PBFHMN: + Rod ORP



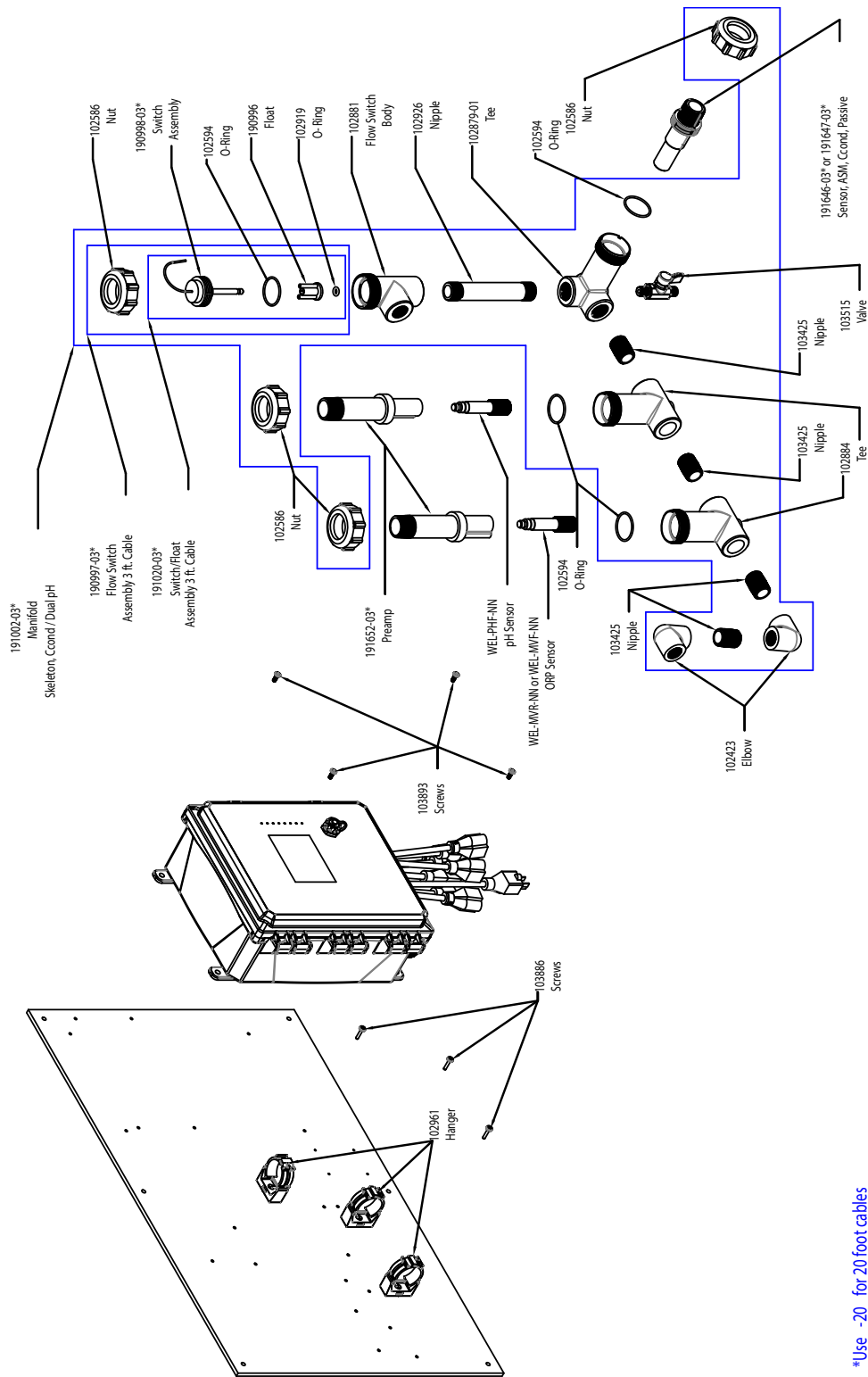
WCT900 Sensor Options PAFHMO, PBFHMO, PAFIMO, PBFIMO

PAFHMO: Graphite contacting conductivity + pH + LD2 + Corrosion + Flow Switch manifold on panel + Rod ORP

PAFIMO: + Flat ORP

PBFHMO: 316SS contacting conductivity + pH + LD2 + Corrosion + Flow Switch manifold on panel + Rod ORP

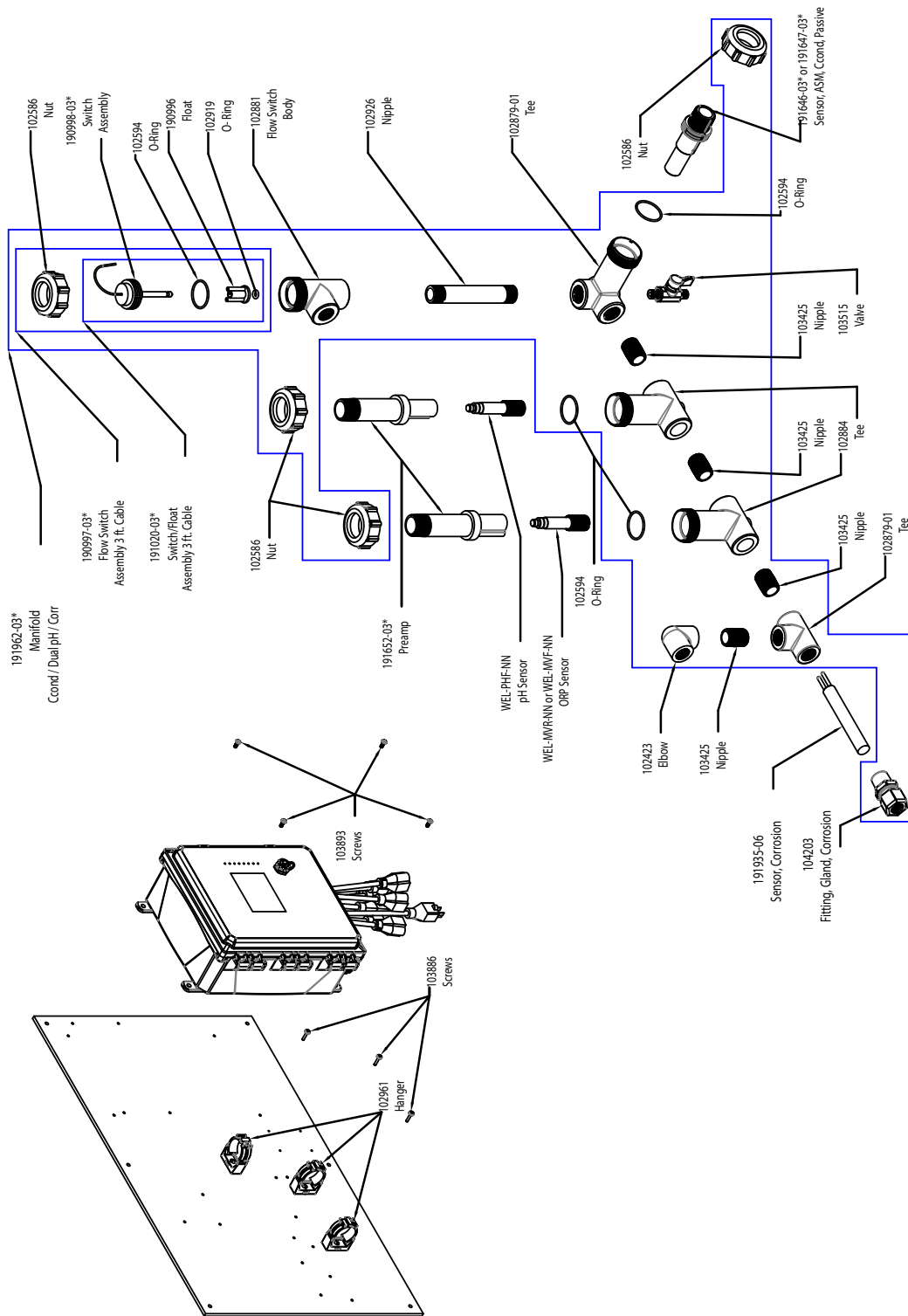
PBFIMO: + Flat ORP



*Use -20 for 20 foot cables

WCT900 Sensor Options PAFHNN, PBFHNN, PAFINN, PBFINN

- PAFHNN:** Graphite contacting conductivity + pH + Flow Switch manifold on panel + Rod ORP
- PAFINN:** + Flat ORP
- PBFHNN:** 316SS contacting conductivity + pH + Flow Switch manifold on panel + Rod ORP
- PBFINN:** + Flat ORP



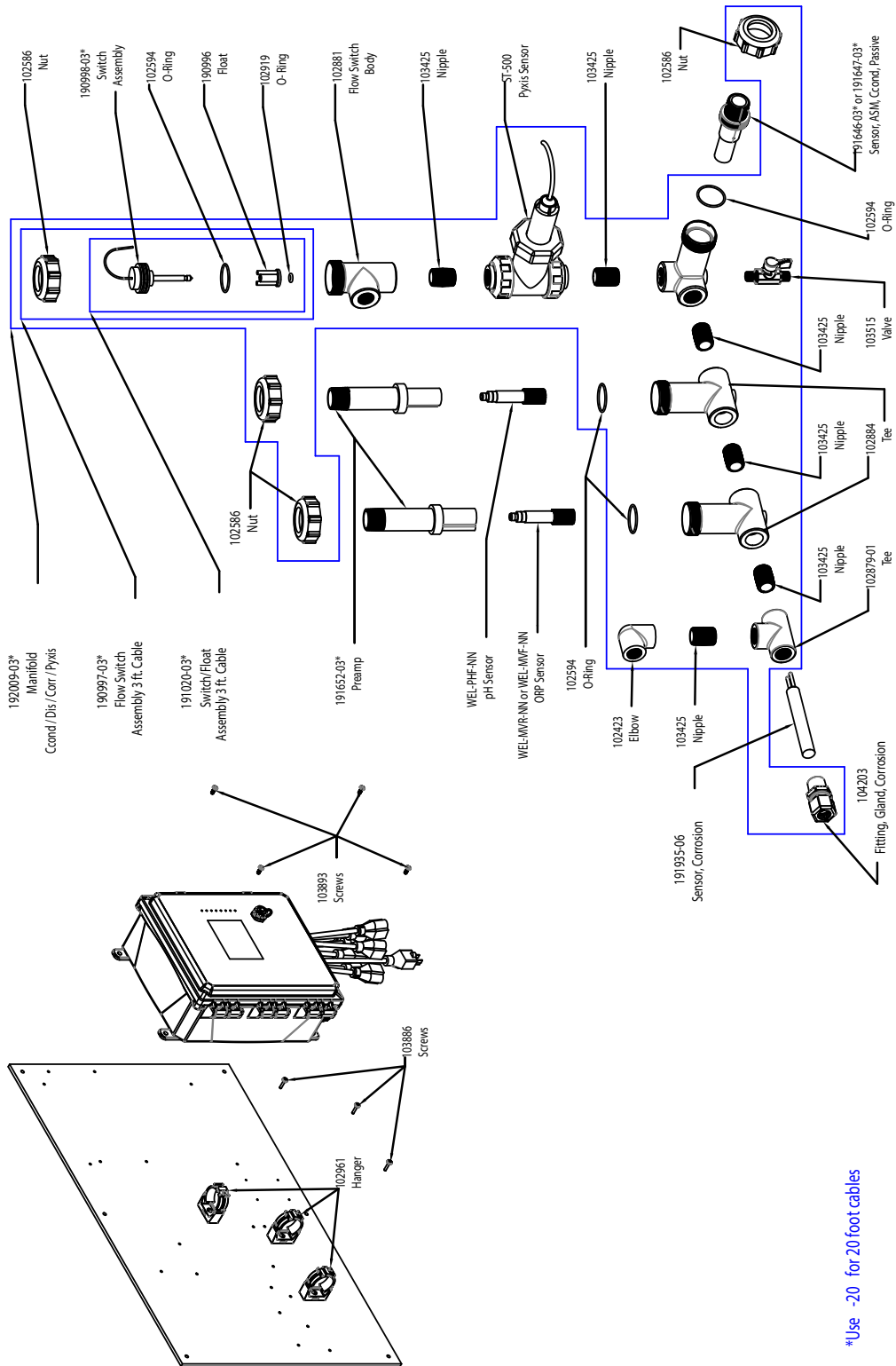
WCT900 Sensor Options PAFHON, PBFHON, PAFION, PBFION

PAFHON: Graphite contacting conductivity + pH + Corrosion + Flow Switch manifold on panel + Rod ORP

PAFION: + Flat ORP

PBFHON: 316SS contacting conductivity + pH + Corrosion + Flow Switch manifold on panel + Rod ORP

PBFION: + Flat ORP



*Use -20 for 20 foot cables

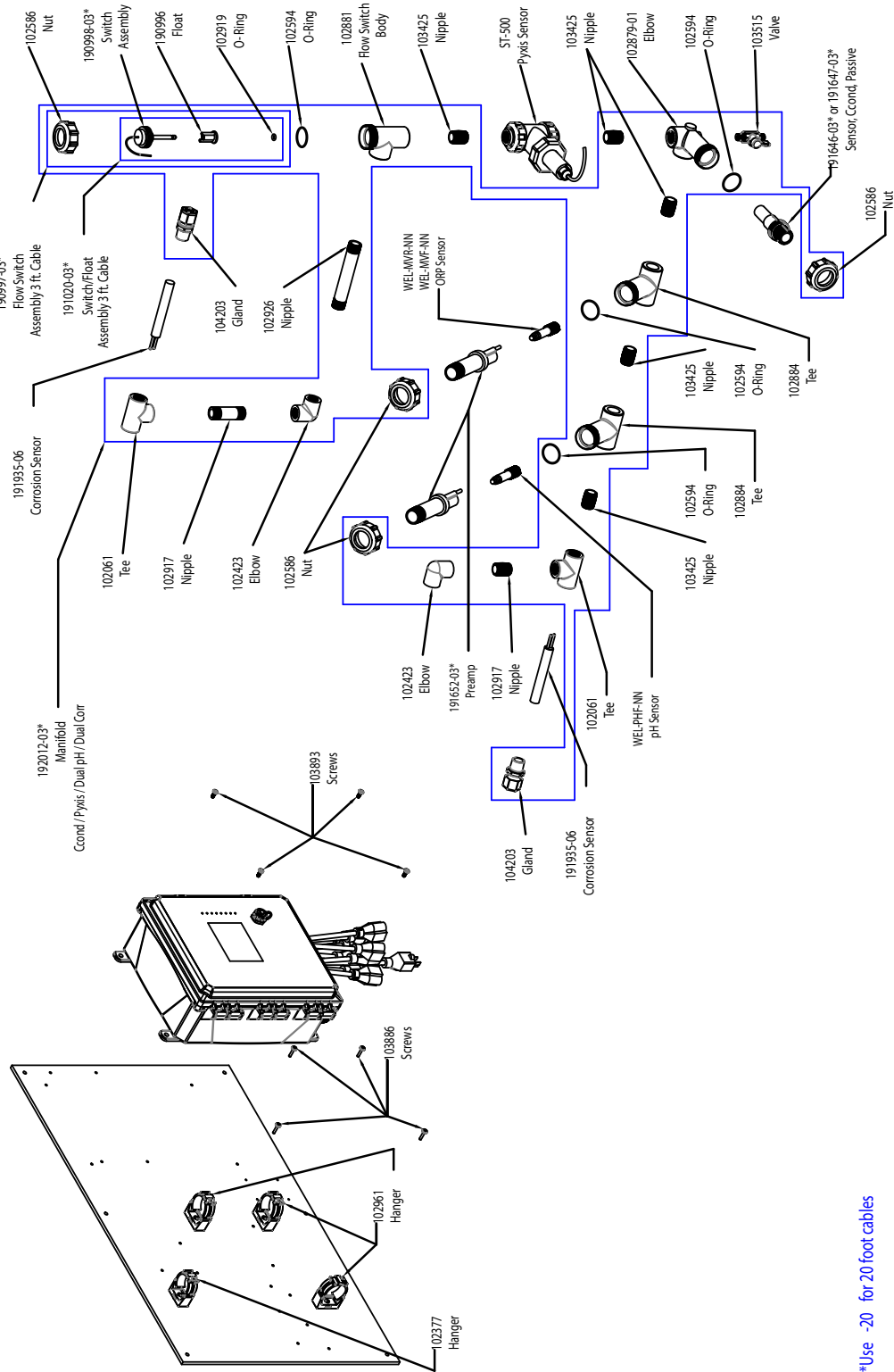
WCT90 Sensor Options PAFHOP, PBFHOP, PAFIOP, PBFIOP

PAFHOP: Graphite contacting conductivity + pH + Corrosion + Pyxis + Flow Switch manifold on panel + Rod ORP

PAFIOP: + Flat ORP

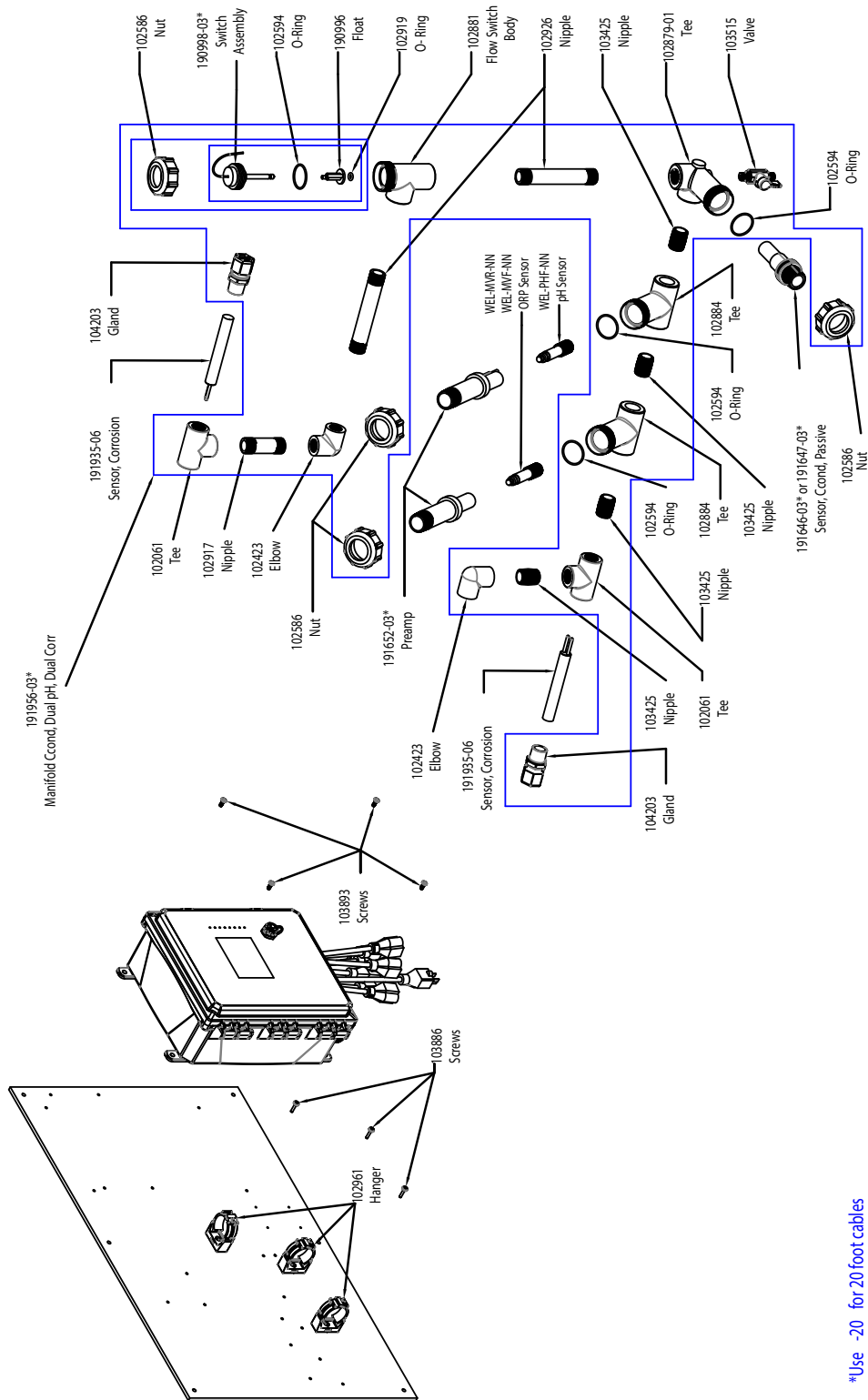
PBFHOP: 316SS contacting conductivity + pH + Corrosion + Pyxis + Flow Switch manifold on panel + Rod ORP

PBFIOP: + Flat ORP



WCT900 Sensor Options PAFHPR, PBFHPR, PAFIPR, PBFIPR

- PAFHPR:** Graphite contacting conductivity + pH + Dual Corrosion + Pyxis + Flow Switch manifold on panel + Rod ORP
- PAFIPR:** + Flat ORP
- PBFHPR:** 316SS contacting conductivity + pH + Dual Corrosion + Pyxis + Flow Switch manifold on panel + Rod ORP
- PBFIPR:** + Flat ORP



*Use -20 for 20 foot cables

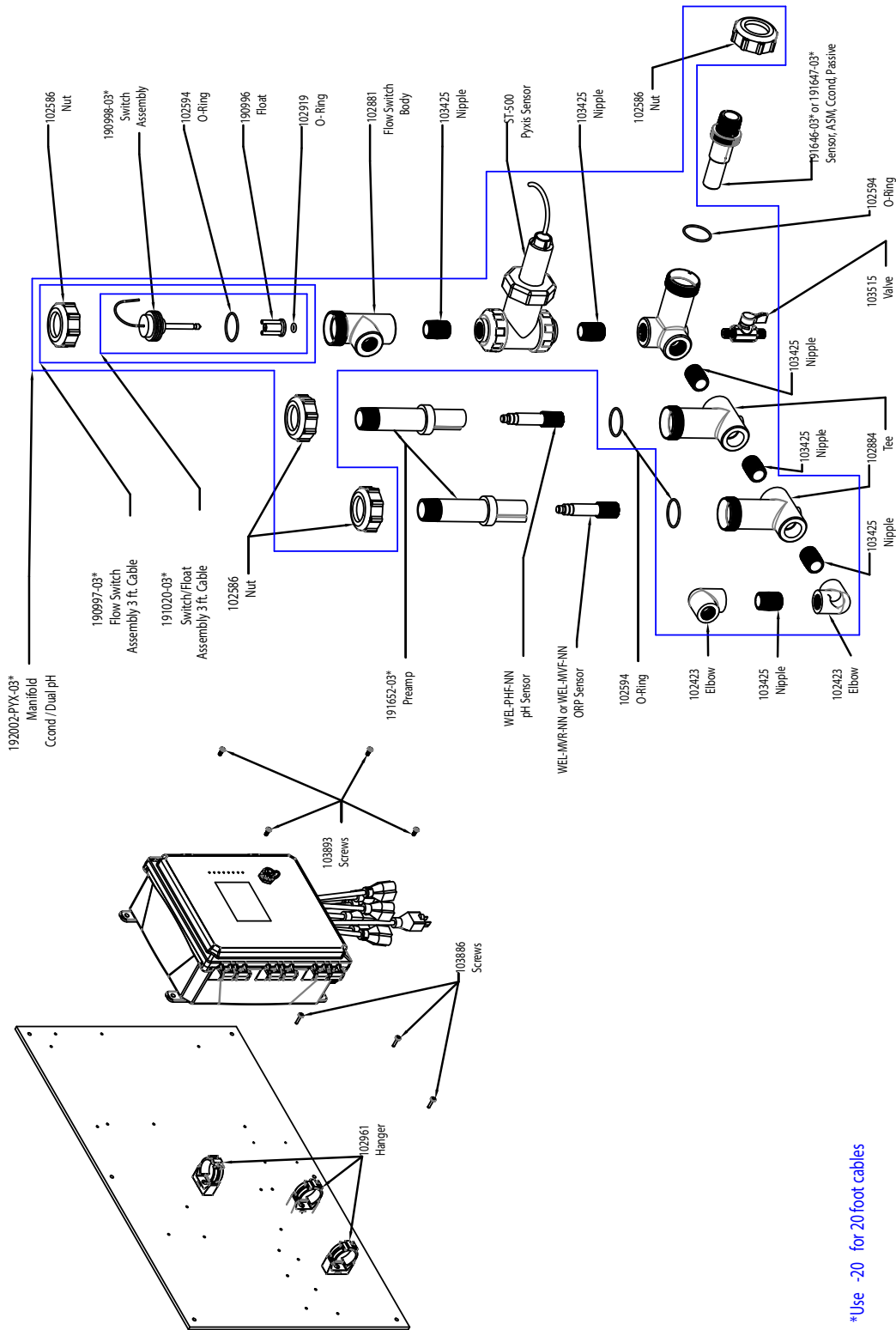
WCT900 Sensor Options PAFHRN, PBFHRN, PAFIRN, PBFIRN

PAFHRN: Graphite contacting conductivity + pH + Dual Corrosion + Flow Switch manifold on panel
+ Rod ORP

PAFIRN: + Flat ORP

PBFHRN: 316SS contacting conductivity + pH + Dual Corrosion + Flow Switch manifold on panel
+ Rod ORP

PBFIRN: + Flat ORP



*Use -20 for 20 foot cables

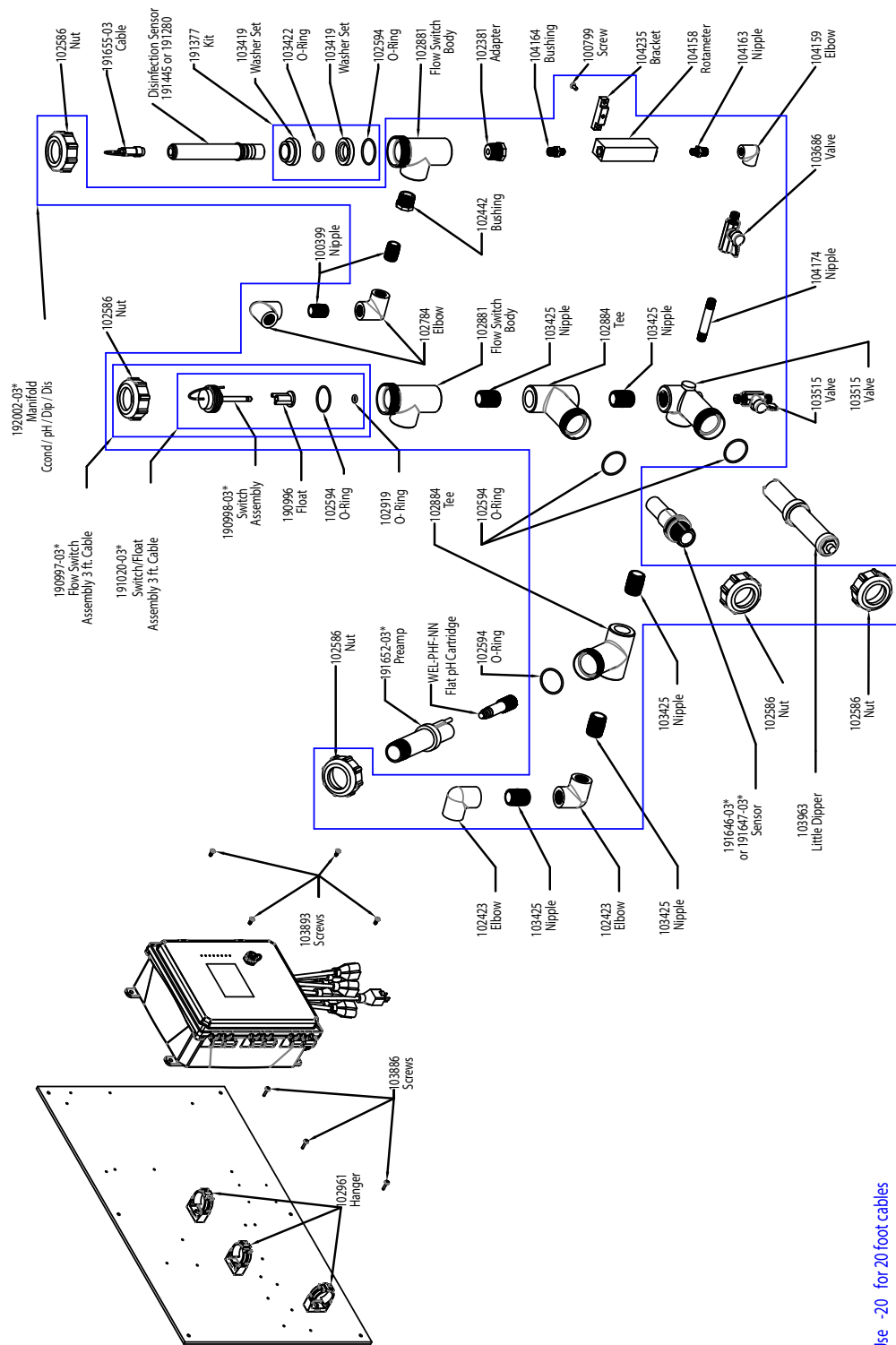
WCT900 Sensor Options PAFHPN, PBFHPN, PAFIPN, PBFIPN

PAFHPN: Graphite contacting conductivity + pH + Pyxis + Flow Switch manifold on panel + Rod ORP

PAFIPN: + Flat ORP

PBFHPN: 316SS contacting conductivity + pH + Pyxis + Flow Switch manifold on panel + Rod ORP

PBFIPN: + Flat ORP



*Use -20 for 20 foot cables

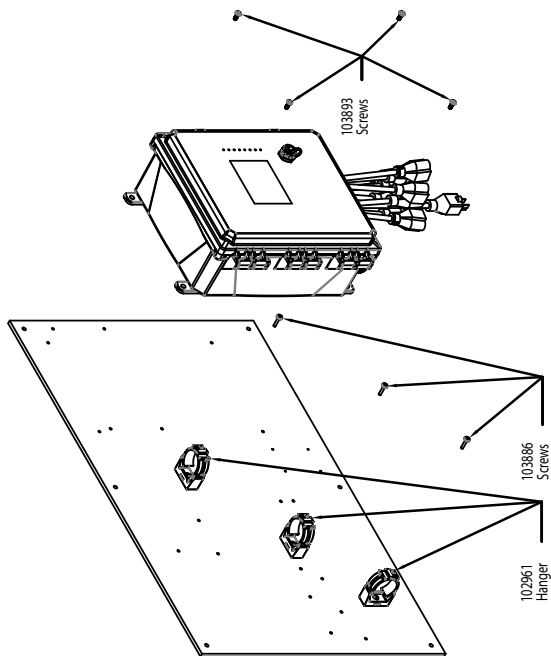
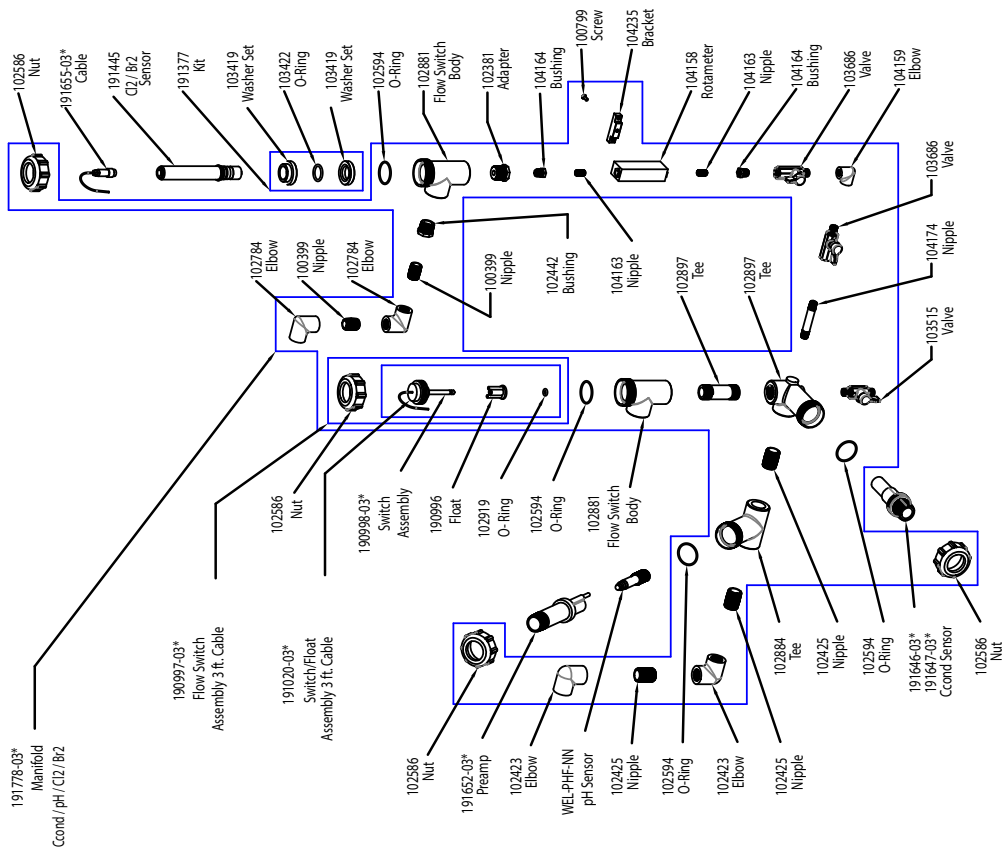
WCT900 Sensor Options PAFKMN, PBFKMN, PAFLMN, PBFLMN

PAFKMN: Graphite contacting conductivity + pH + LD2 + Flow Switch manifold on panel + Chlorine

PAFLMN: + Chlorine Dioxide

PBFKMN: 316SS contacting conductivity + pH + LD2 + Flow Switch manifold on panel + Chlorine

PBFLMN: + Chlorine Dioxide



*Use -20 for 20 foot cables

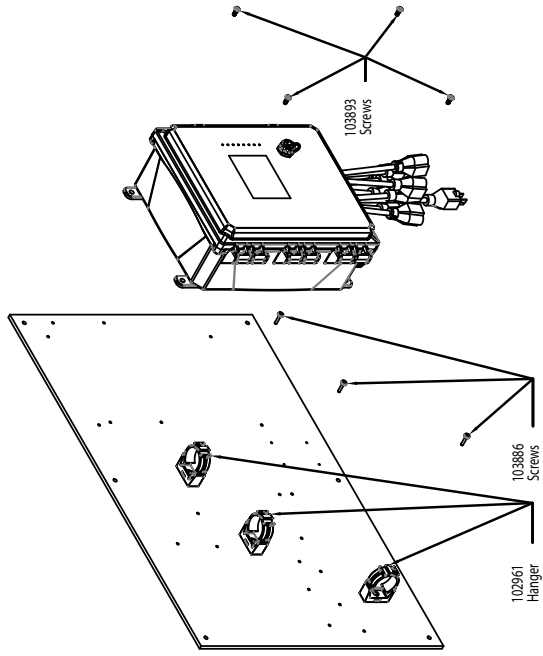
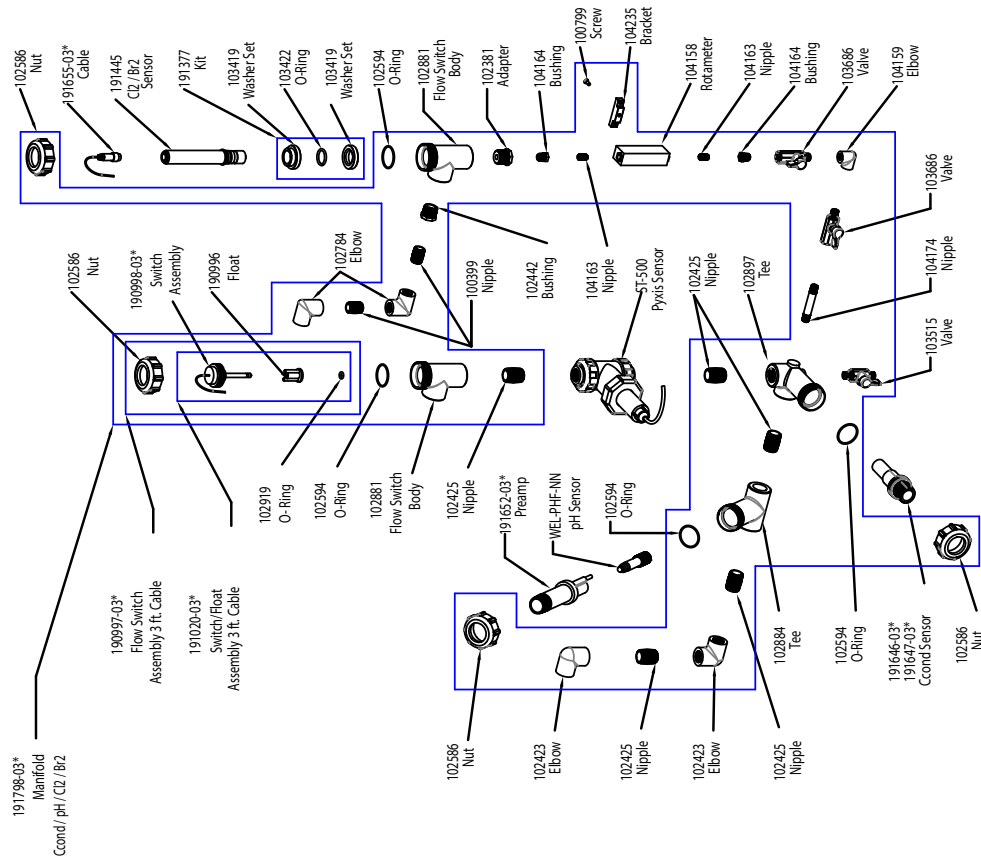
WCT900 Sensor Options PAFKNN, PBFKNN, PAFLNN, PBFLNN

PAFKNN: Graphite contacting conductivity + pH + Flow Switch manifold on panel + Chlorine

PAFLNN: + Chlorine Dioxide

PBFKNN: 316SS contacting conductivity + pH + Flow Switch manifold on panel + Chlorine

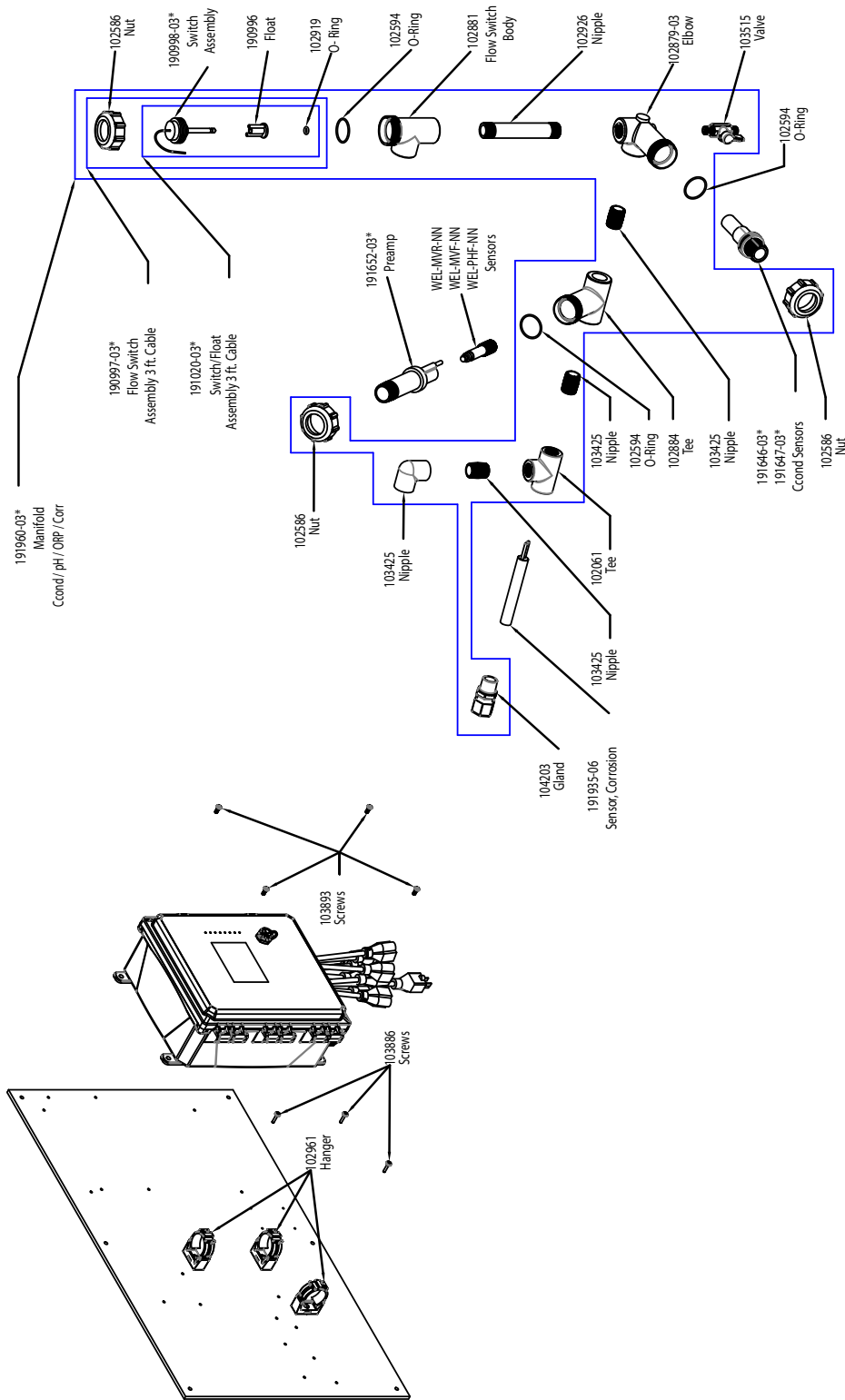
PBFLNN: + Chlorine Dioxide



*Use -20 for 20 foot cables

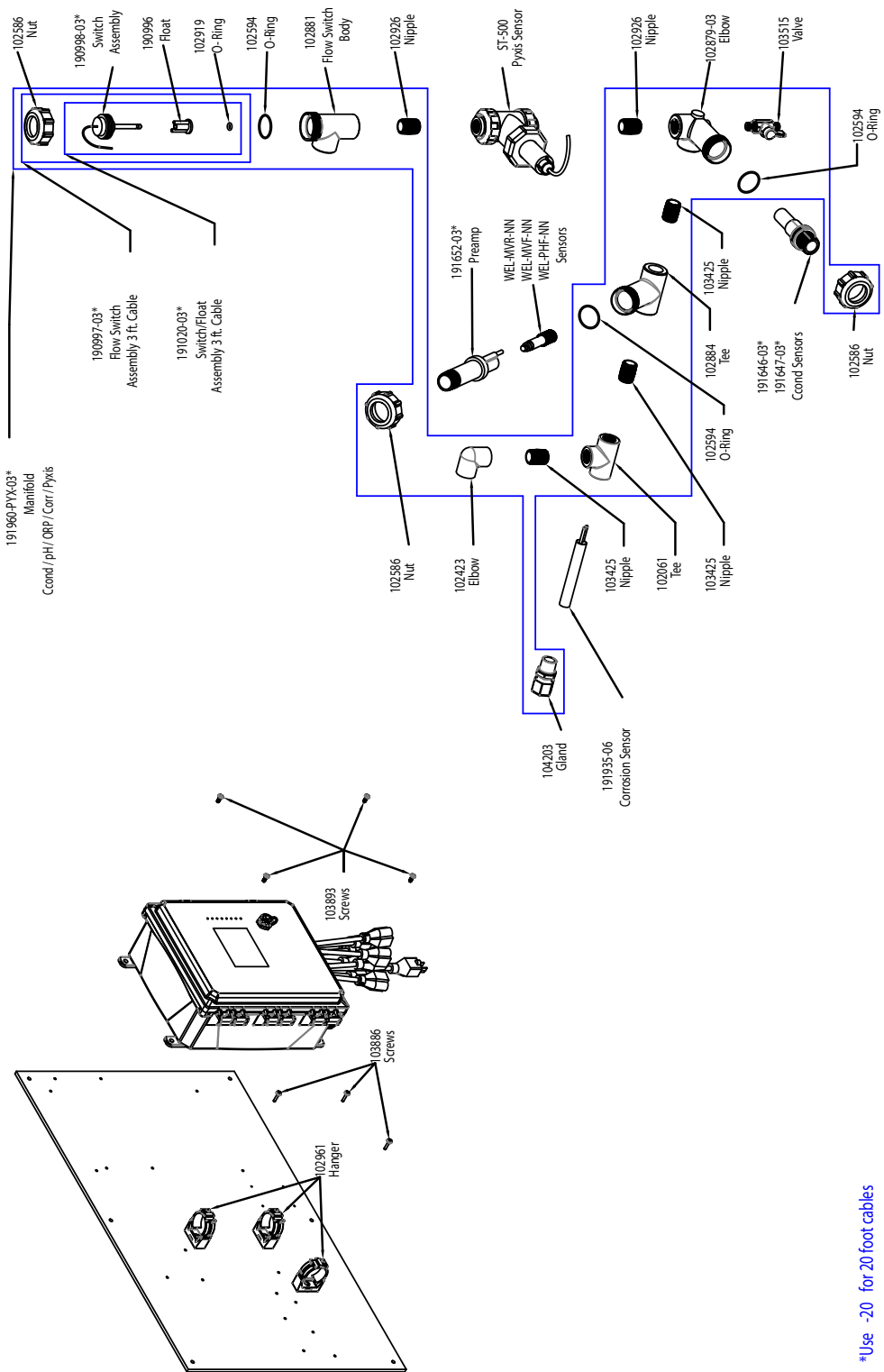
WCT900 Sensor Options PAFKPN, PBFKPN, PAFLPN, PBFLPN

- PAFKPN:** Graphite contacting conductivity + pH + Pyxis + Flow Switch manifold on panel + Chlorine
- PAFLPN:** + Chlorine Dioxide
- PBFKPN:** 316SS contacting conductivity + pH + Pyxis + Flow Switch manifold on panel + Chlorine
- PBFLPN:** + Chlorine Dioxide



WCT90 Sensor Options PAFONN, PBFONN, PAHONN, PBHONN, PAIONN, PBIONN

- PAFONN:** Graphite contacting conductivity + Corrosion + Flow Switch manifold on panel + pH
- PAHONN:** + Rod ORP
- PAIONN:** + Flat ORP
- PBFONN:** 316SS contacting conductivity + Corrosion + Flow Switch manifold on panel + pH
- PBHONN:** + Rod ORP
- PBIONN:** + Flat ORP



*Use -20 for 20 foot cables

WCT900 Sensor Options PAFOPN, PBFOPN, PAHOPN, PBHOPN, PAIOPN, PBIOPN

PAFOPN: Graphite contacting conductivity + Corrosion + Pyxis + Flow Switch manifold on panel + pH

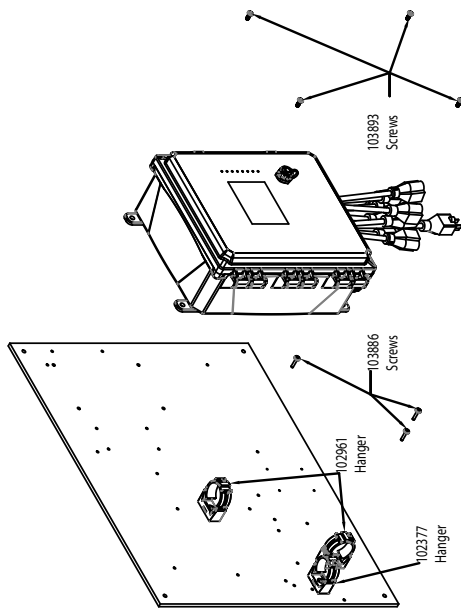
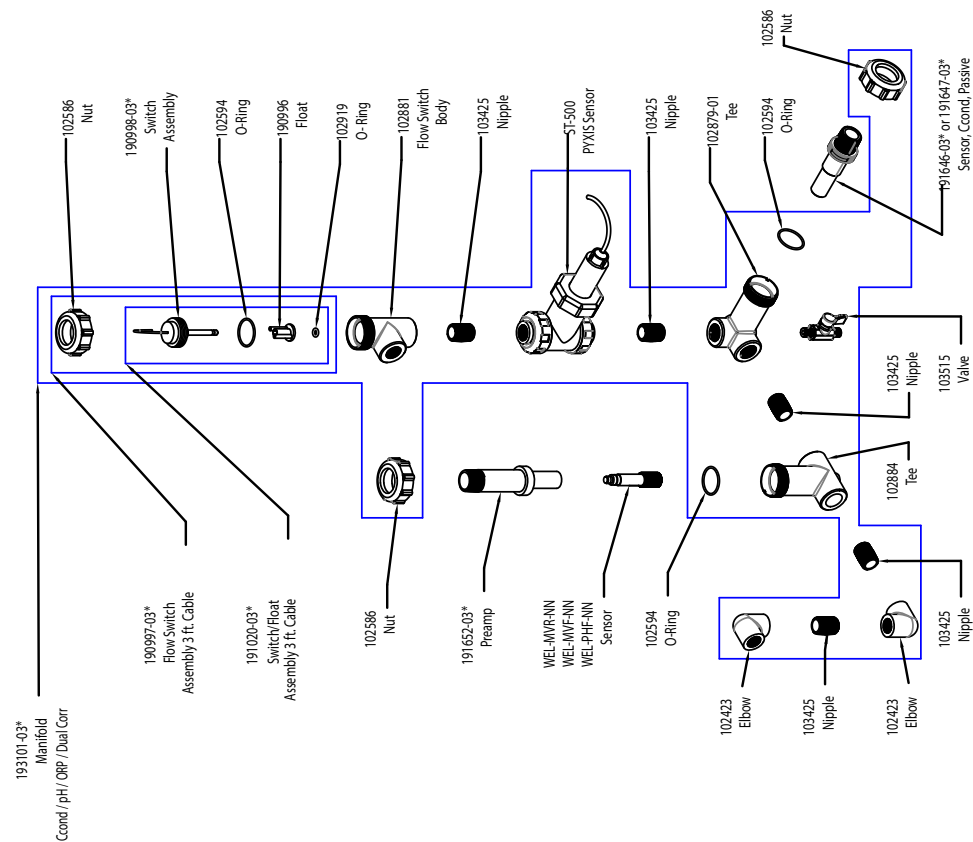
PAHOPN: + Rod ORP

PAIOPN: + Flat ORP

PBFOPN: 316SS contacting conductivity + Corrosion + Pyxis + Flow Switch manifold on panel + pH

PBHOPN: + Rod ORP

PBIOPN: + Flat ORP



*Use -20 for 20 foot cables

WCT900 Sensor Options PAFPNN, PBFNN, PAHPNN, PBHPNN, PAIPNN, PBIPNN

PAFPNN: Graphite contacting conductivity + Pyxis + Flow Switch manifold on panel + pH

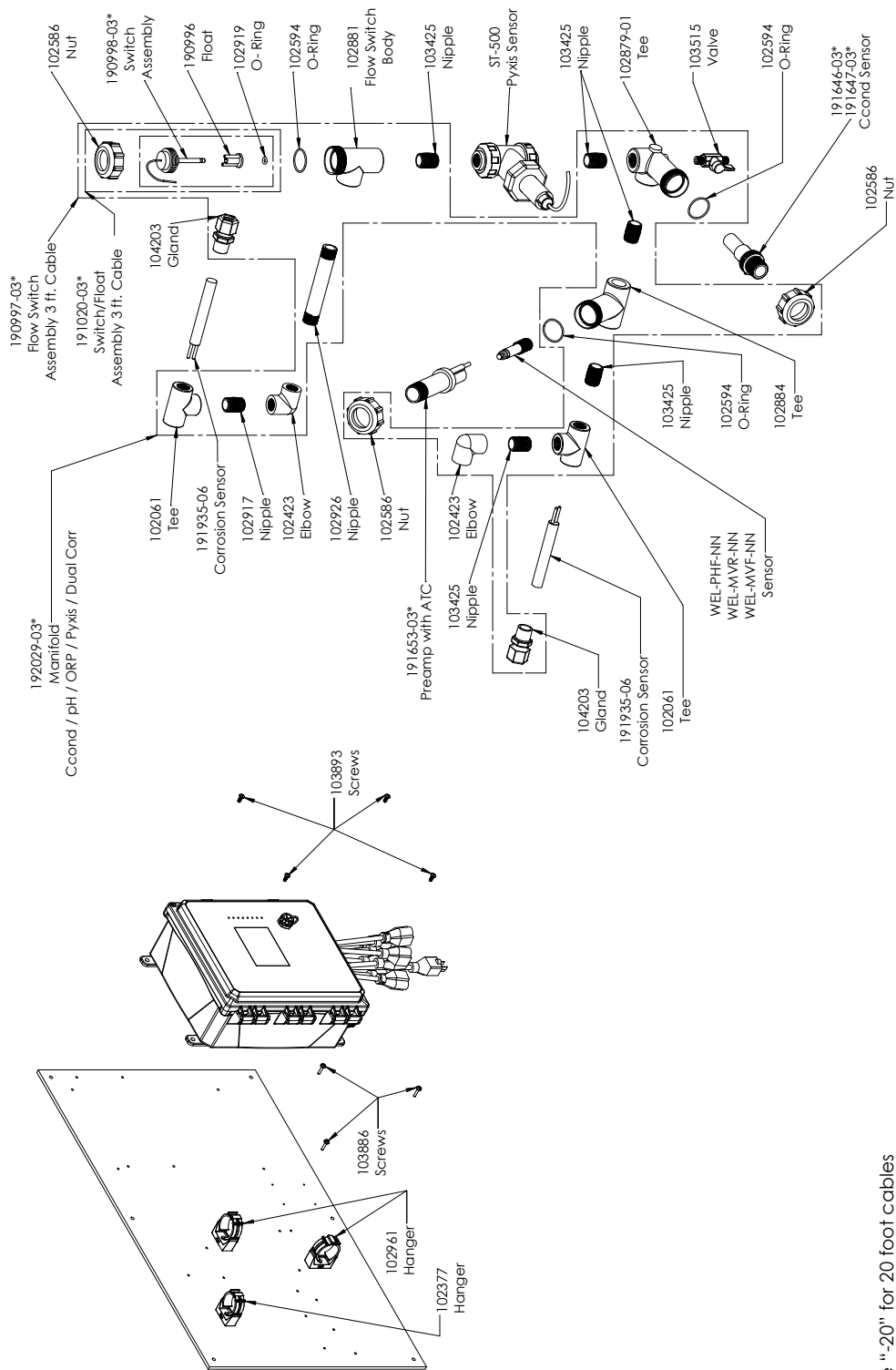
PAHPNN: + Rod ORP

PAIPNN: + Flat ORP

PBFNN: 316SS contacting conductivity + Pyxis + Flow Switch manifold on panel + pH

PBHPNN: + Rod ORP

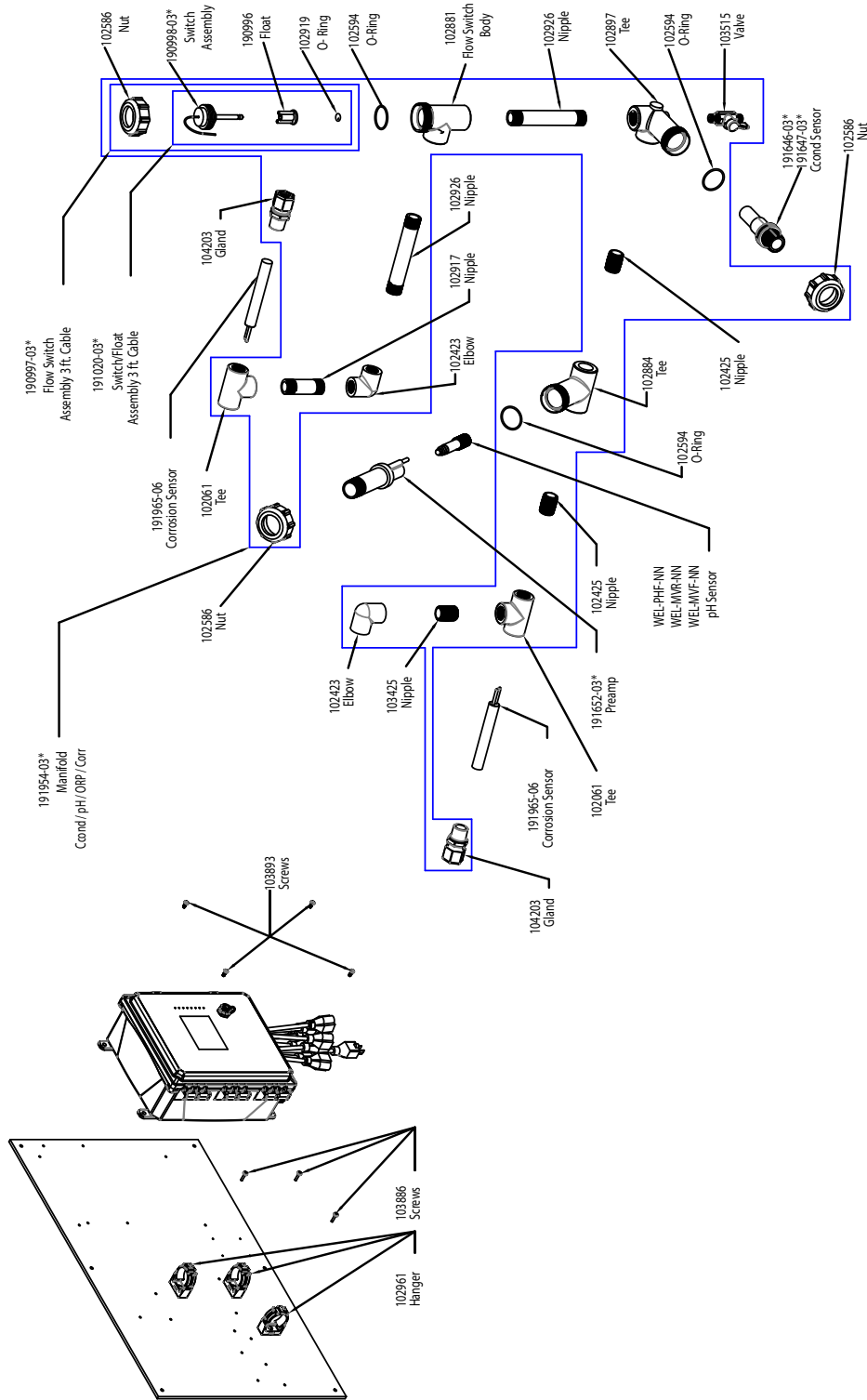
PBIPNN: + Flat ORP



*Use ".20" for 20 foot cables

WCT90 Sensor Options PAFPRN, PBFPRN, PAHPRN, PBHPRN, PAIPRN, PBIPRN

- PAFPRN:** Graphite contacting conductivity + Dual Corrosion + Pyxis + Flow Switch manifold on panel + pH
- PAHPRN:** + Rod ORP
- PAIPRN:** + Flat ORP
- PBFPRN:** 316SS contacting conductivity + Dual Corrosion + Pyxis + Flow Switch manifold on panel + pH
- PBHPRN:** + Rod ORP
- PBIPRN:** + Flat ORP



*Use -20 for 20 foot cables

WCT90 Sensor Options PAFRNN, PBFRRN, PAHRNN, PBHRNN, PAIRNN, PBIRNN

PAFRNN: Graphite contacting conductivity + Dual Corrosion + Flow Switch manifold on panel + pH

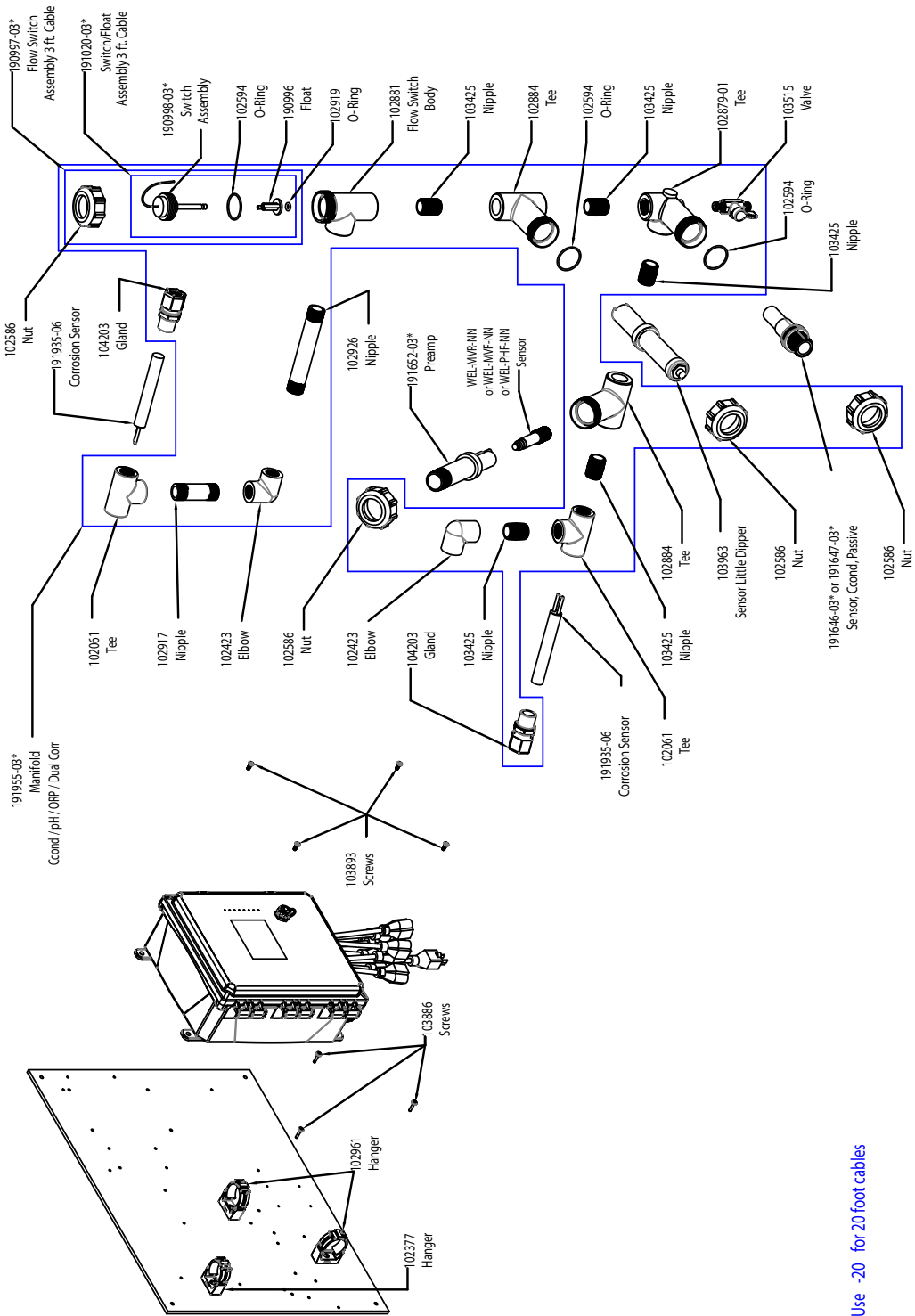
PAHRNN: + Rod ORP

PAIRNN: + Flat ORP

PBFRRN: 316SS contacting conductivity + Dual Corrosion + Flow Switch manifold on panel + pH

PBHRNN: + Rod ORP

PBIRNN: + Flat ORP



*Use -20 for 20 foot cables

WCT90 Sensor Options PAFMRN, PBFMRN, PAHMRN, PBHMRN, PAIMRN, PBIMRN

PAFMRN: Graphite contacting conductivity + LD2 + Dual Corrosion + Flow Switch manifold on panel + pH

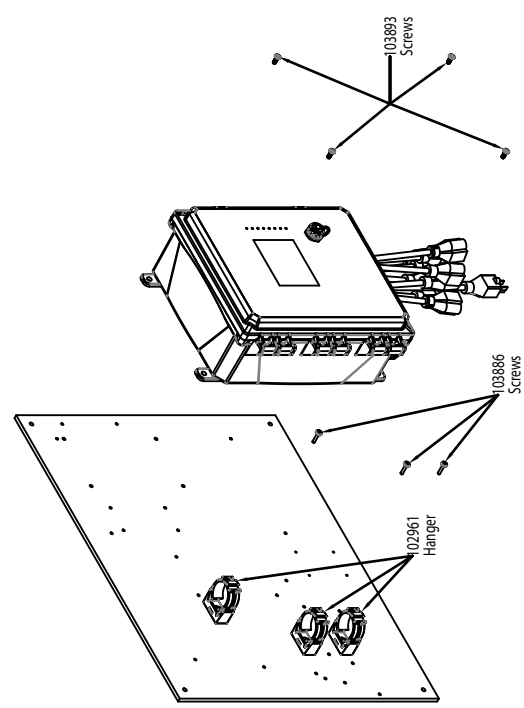
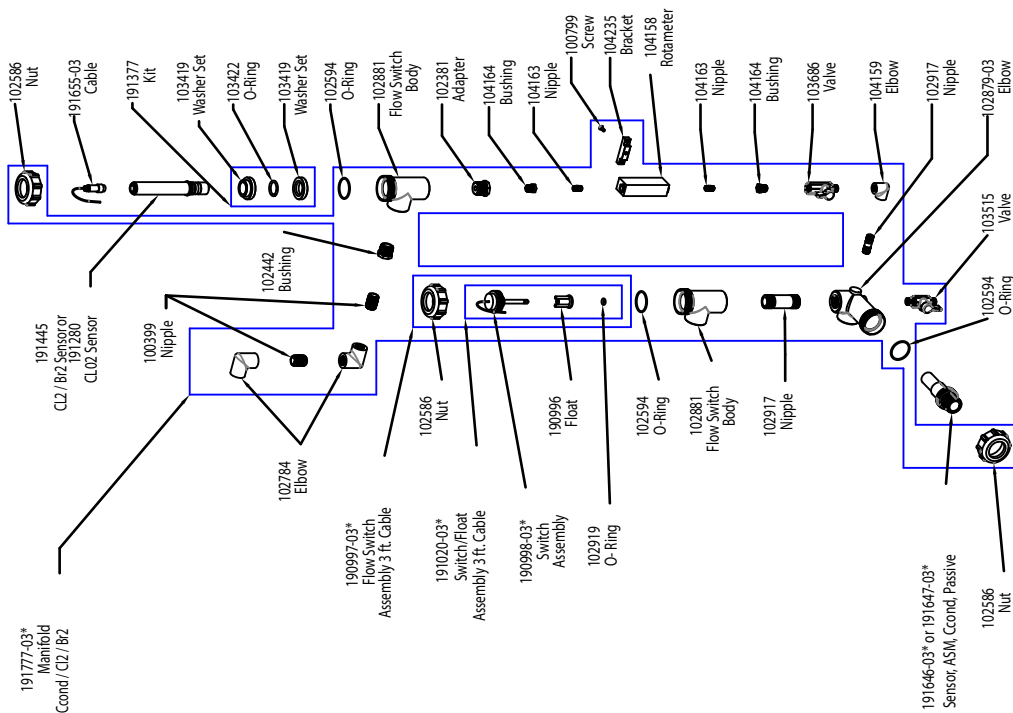
PAHMRN: + Rod ORP

PAIMRN: + Flat ORP

PBFMRN: 316SS contacting conductivity + LD2 + Dual Corrosion + Flow Switch manifold on panel + pH

PBHMRN: + Rod ORP

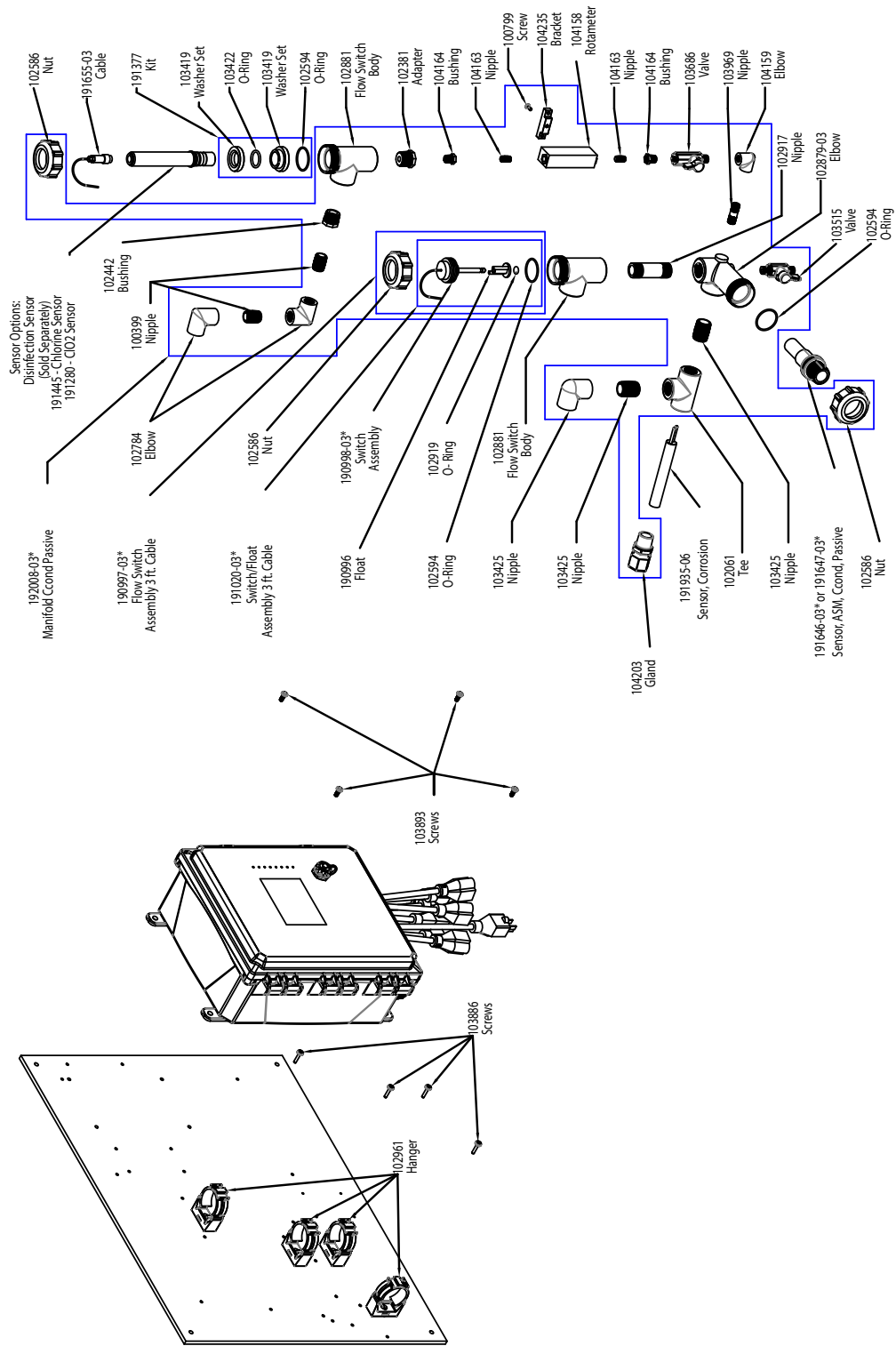
PBIMRN: + Flat ORP



*Use -20 for 20 foot cables

WCT900 Sensor Options PAKNNN, PBKNNN, PALNNN, PBLNNN

- PAKNNN:** Graphite contacting conductivity + Flow Switch manifold on panel + Chlorine
- PALNNN:** + Chlorine Dioxide
- PBKNNN:** 316SS contacting conductivity + Flow Switch manifold on panel + Chlorine
- PBLNNN:** + Chlorine Dioxide



WCT900 Sensor Options PAKONN, PBKONN, PALONN, PBLONN, PAOSNN

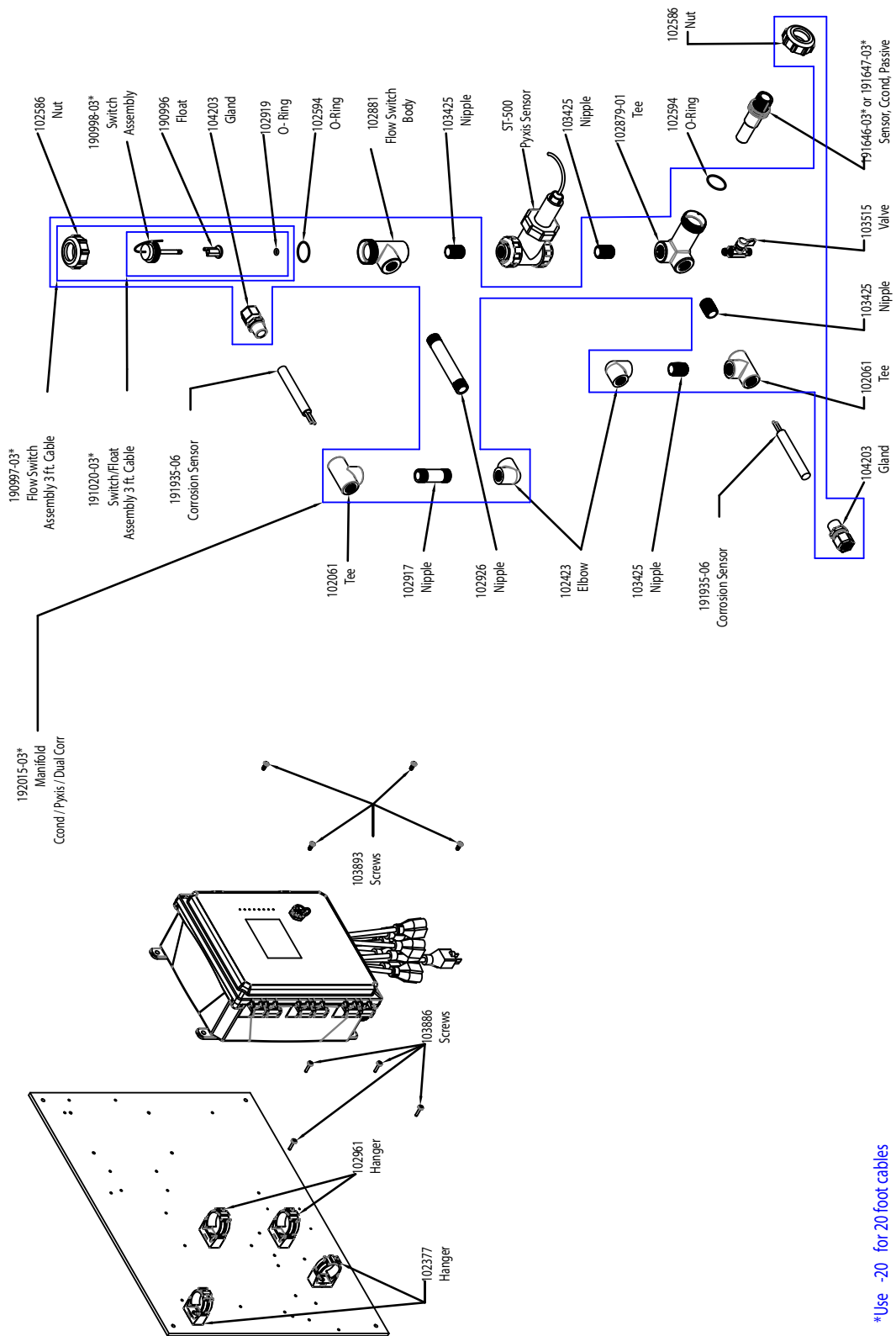
PAKONN: Graphite contacting conductivity + Flow Switch manifold on panel + Chlorine + Corrosion

PBKONN: 316SS contacting conductivity + Flow Switch manifold on panel + Chlorine + Corrosion

PALONN: Graphite contacting conductivity + Flow Switch manifold on panel + ClO2 + Corrosion

PBLONN: 316SS contacting conductivity + Flow Switch manifold on panel + ClO2 + Corrosion

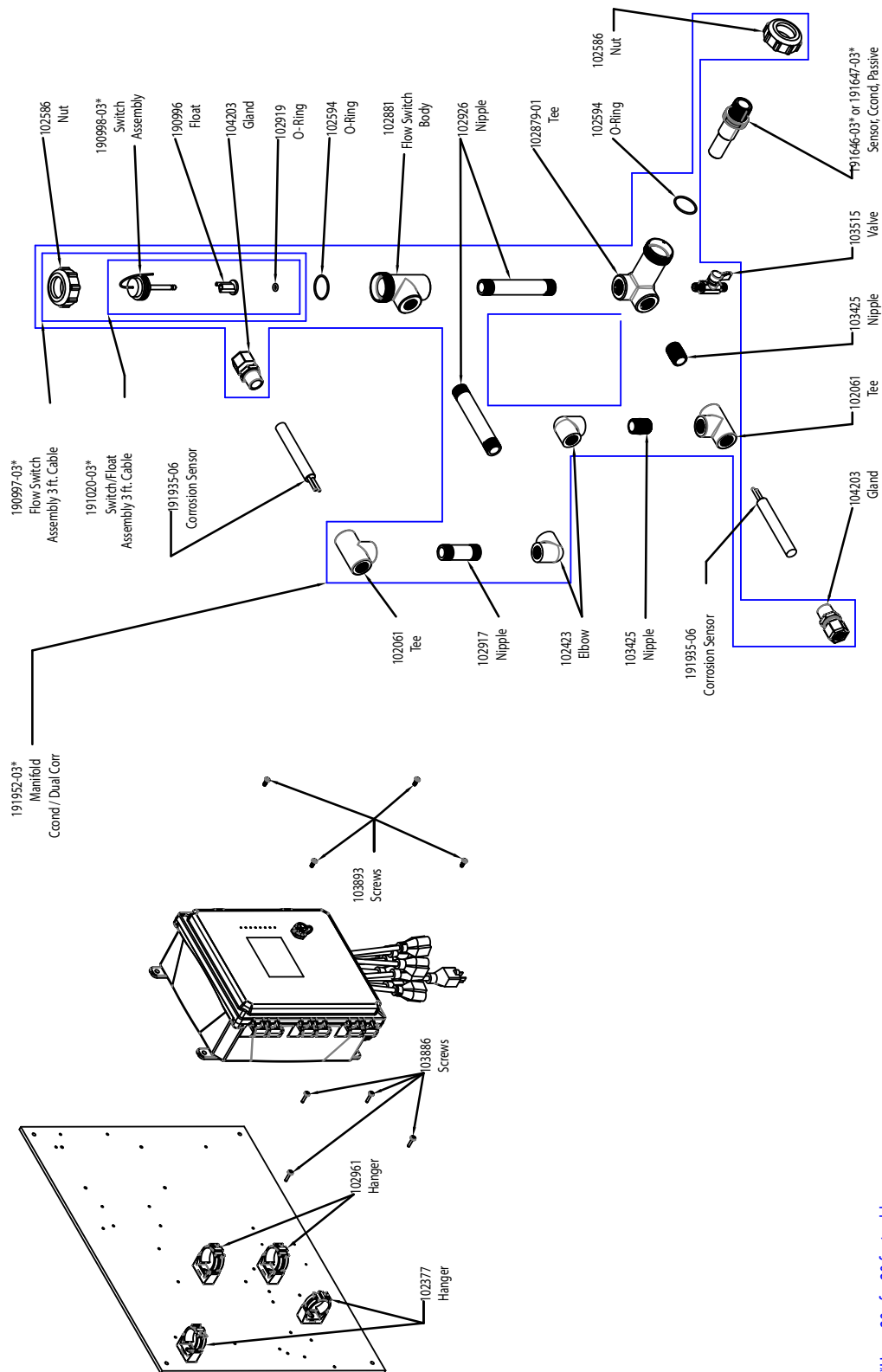
PAOSNN: Graphite contacting conductivity + Flow Switch manifold on panel + Disinfection (no sensor) + Corrosion



*Use -20 for 20 foot cables

WCT90 Sensor Options PAPERNN, PBPRNN

PAPERNN: Graphite contacting conductivity + Dual Corrosion + Pyxis + Flow Switch manifold on panel
PBPRNN: 316SS contacting conductivity + Dual Corrosion + Pyxis + Flow Switch manifold on panel

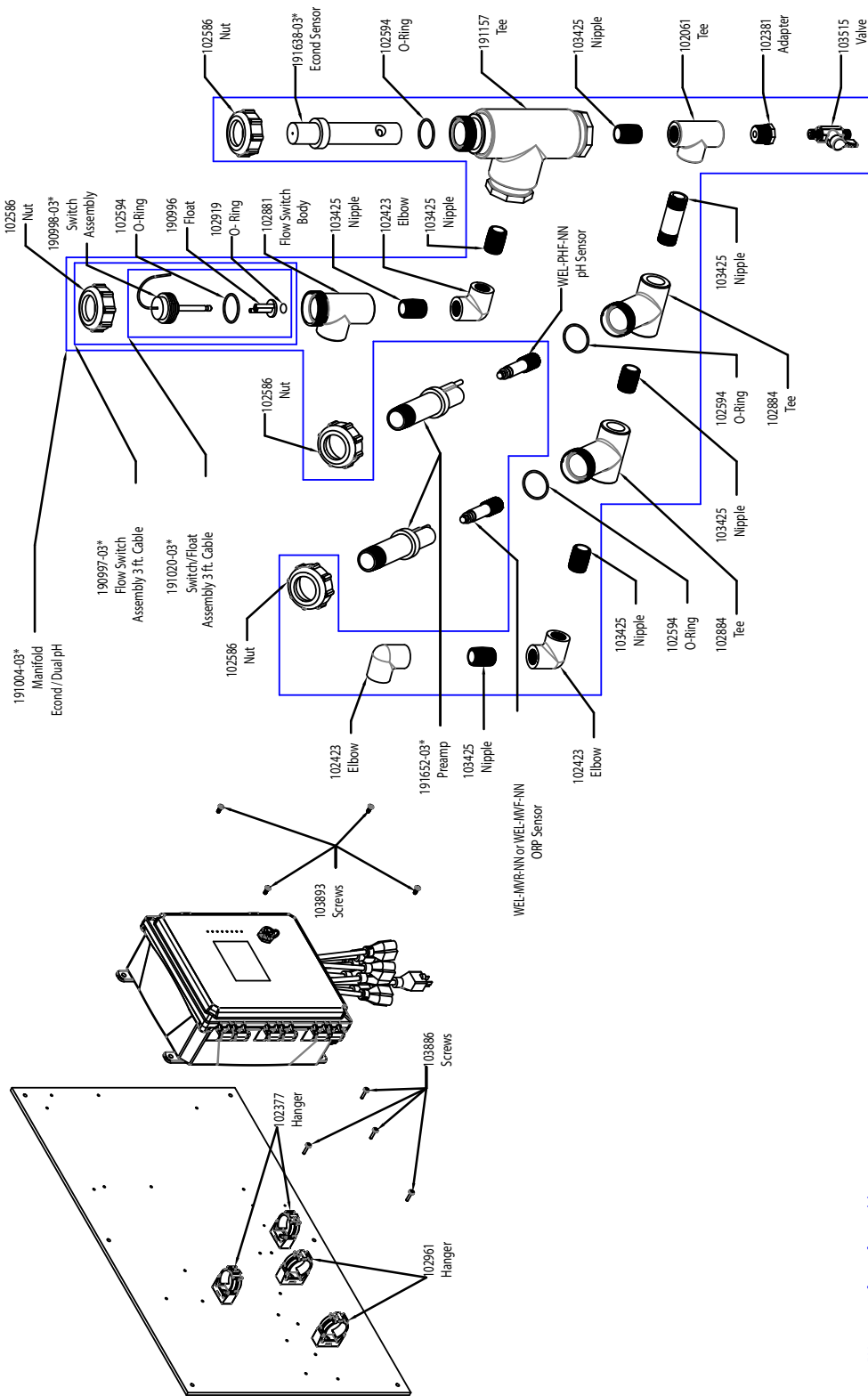


*Use -20 for 20 foot cables

WCT900 Sensor Options PARNNN, PBRNNN

PARNNN: Graphite contacting conductivity + Dual Corrosion + Flow Switch manifold on panel

PBRNNN: 316SS contacting conductivity + Dual Corrosion + Flow Switch manifold on panel

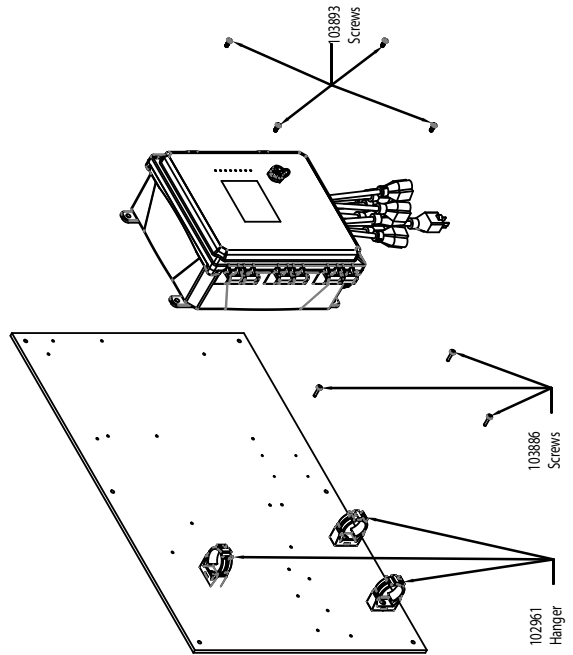
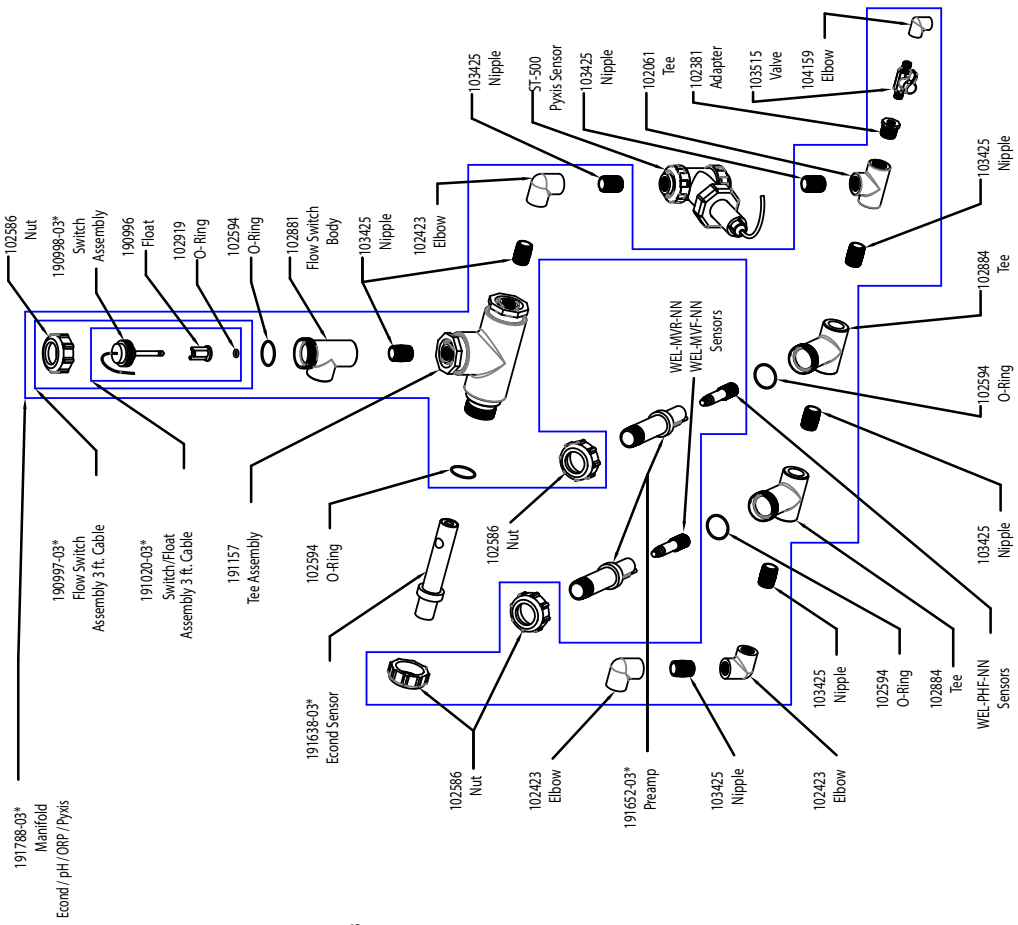


*Use -20 for 20 foot cables

WCT900 Sensor Options PCFHNN, PCFINN

PCFHNN: Electrodeless conductivity + pH + Flow Switch manifold on panel + Rod ORP

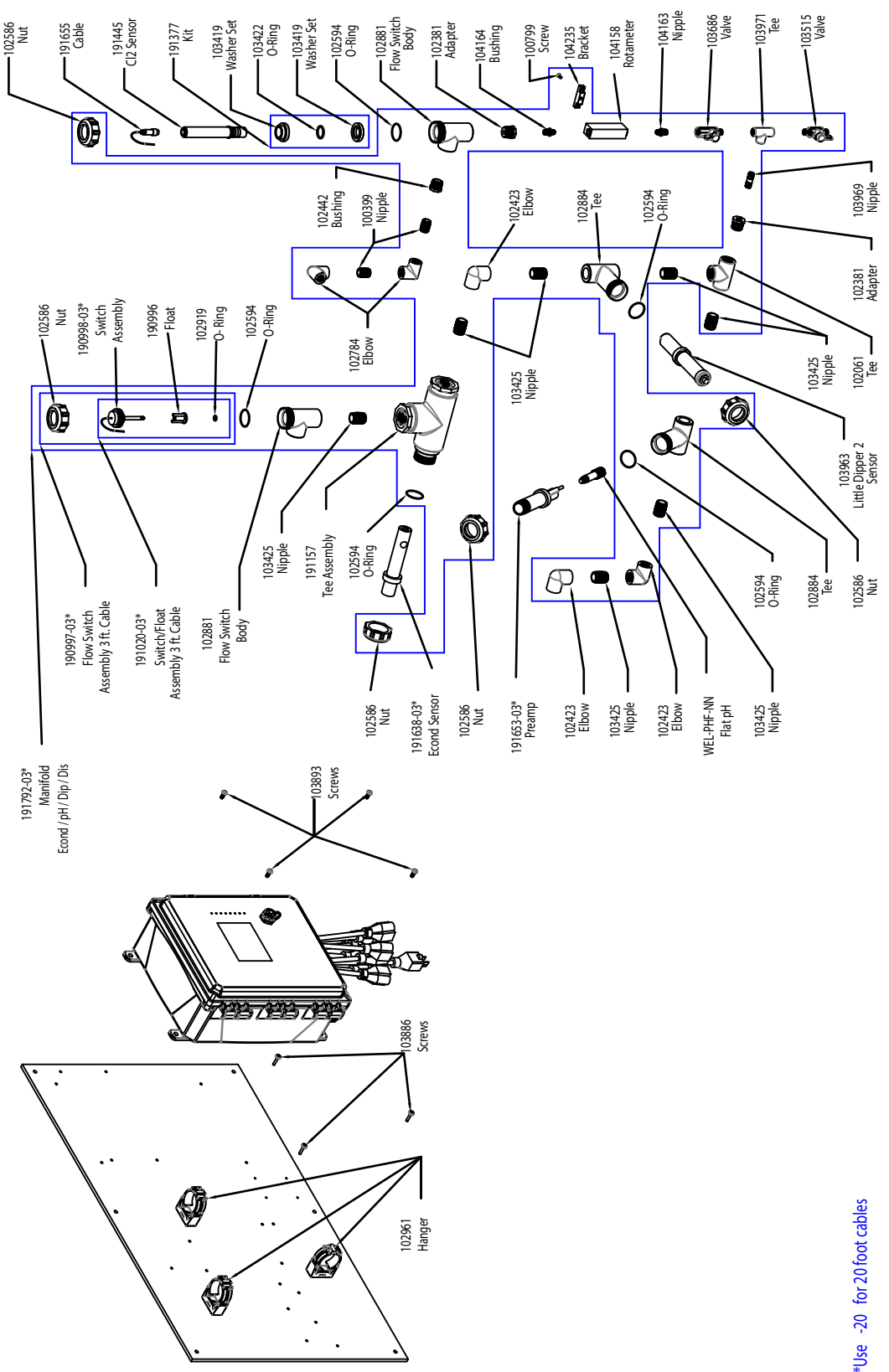
PCFINN: + Flat ORP



*Use -20 for 20 foot cables

WCT900 Sensor Options PCFHPN, PCFIPN

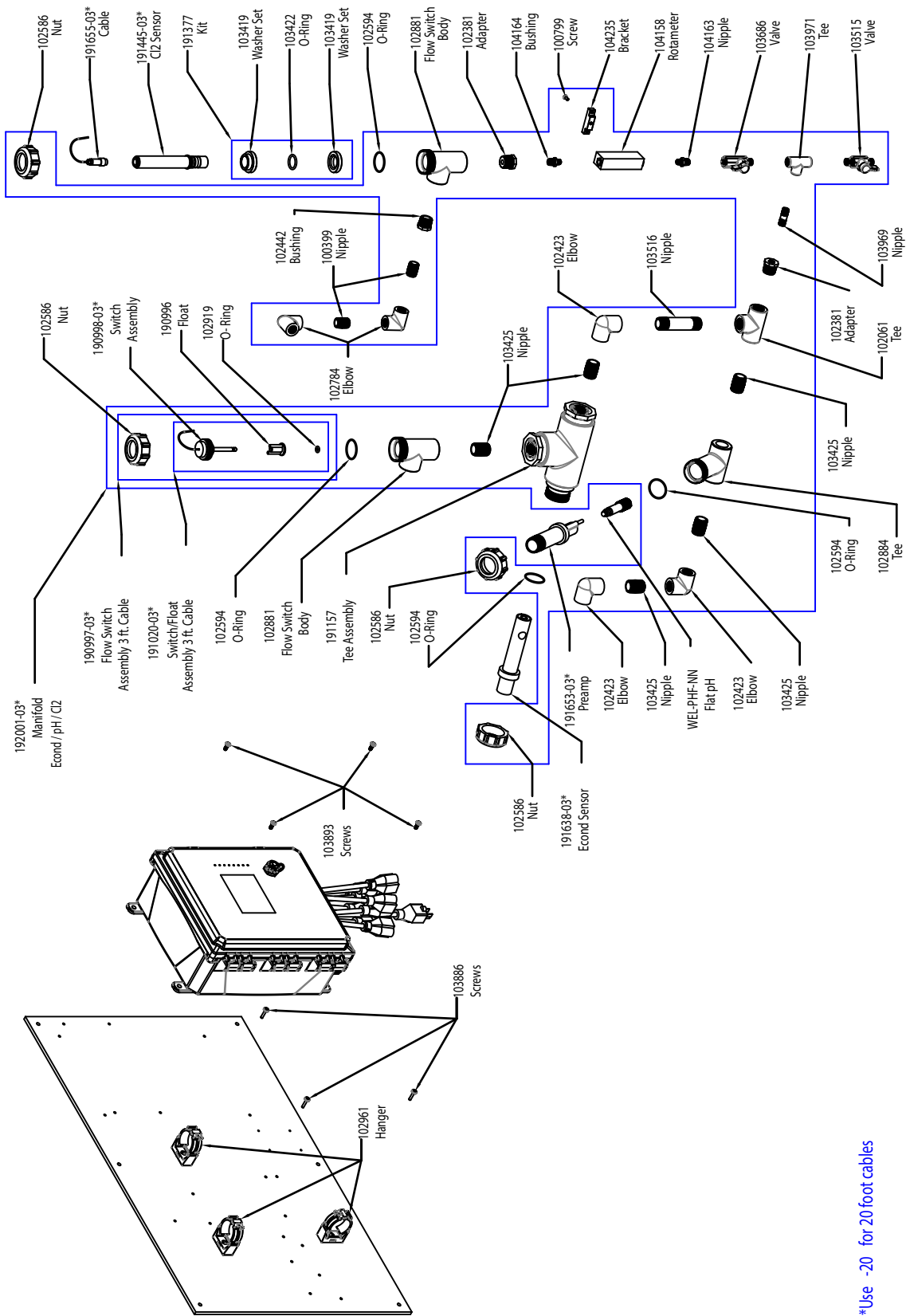
PCFHPN: Electrodeless conductivity + pH + Pyxis + Flow Switch manifold on panel + Rod ORP
PCFIPN: + Flat ORP



*Use -20 for 20 foot cables

WCT90 Sensor Options PCFKMN, PCFLMN, PCFMSN

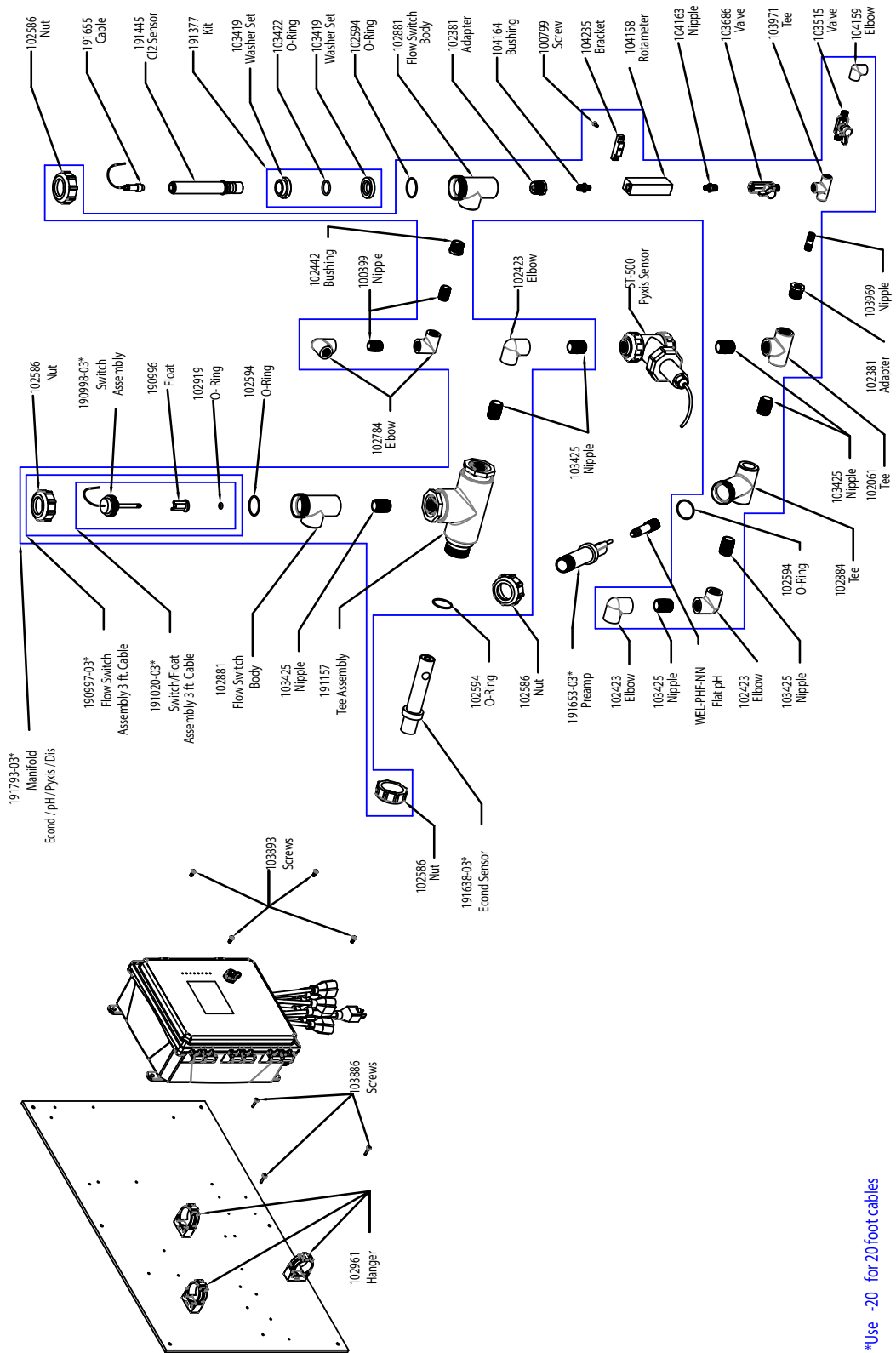
- PCFKMN:** Electrodeless conductivity + pH + LD2 + Flow Switch manifold on panel + Chlorine
- PCFLMN:** + Chlorine Dioxide
- PCFMSN:** + Disinfection (no sensor)



*Use -20 for 20 foot cables

WCT90 Sensor Options PCFKNN, PCFLNN, PCFSSN

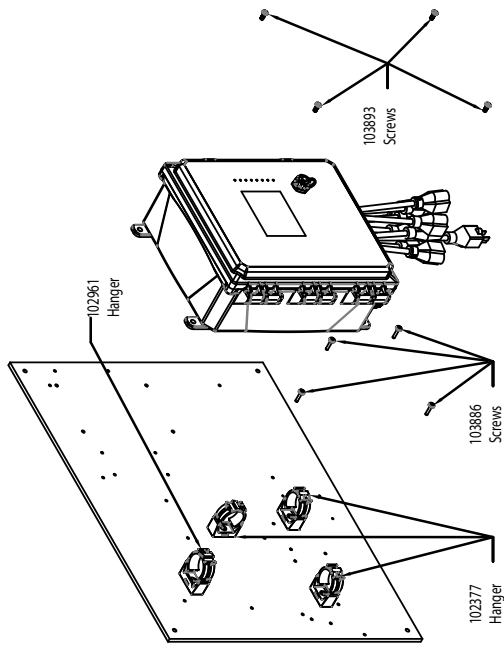
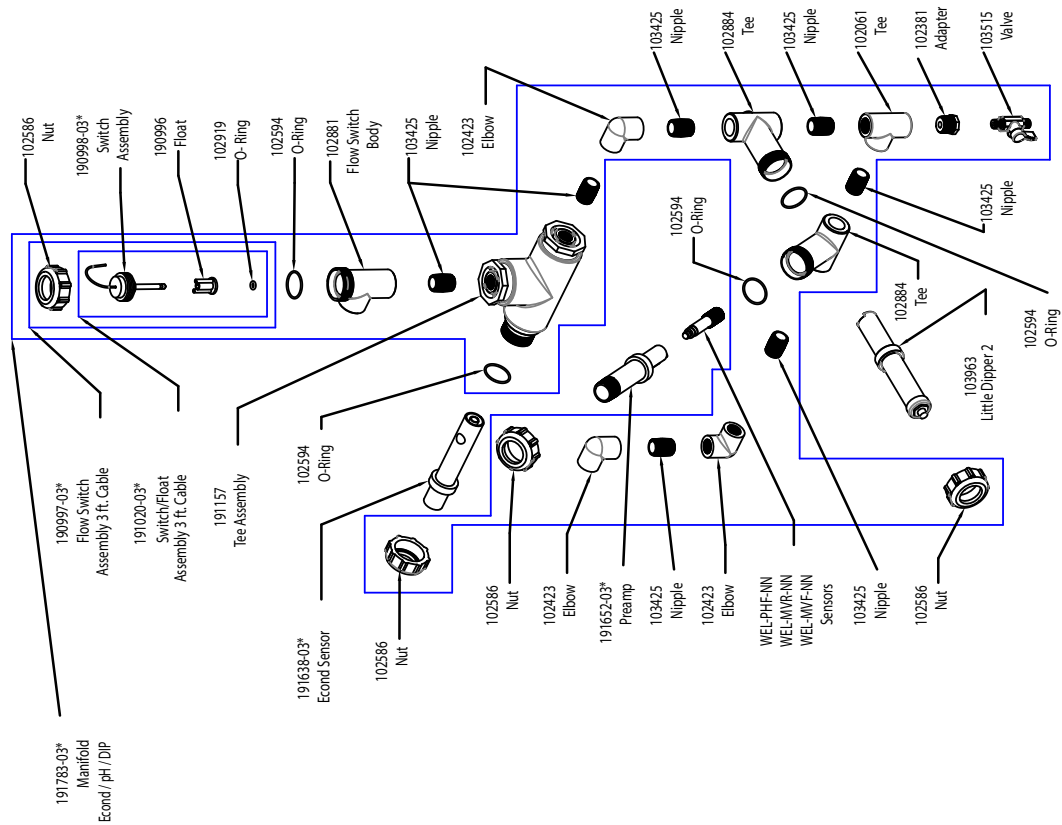
- PCFKPN:** Electrodeless conductivity + pH + Pyxis + Flow Switch manifold on panel + Chlorine
- PCFLPN:** + Chlorine Dioxide
- PCFPSN:** + Disinfection (no sensor)



*Use -20 for 20 foot cables

WCT90 Sensor Options PCFKPN, PCFLPN, PCFPSN

- PCFKPN:** Electrodeless conductivity + pH + Pyxis + Flow Switch manifold on panel + Chlorine
- PCFLPN:** + Chlorine Dioxide
- PCFPSN:** + Disinfection (no sensor)



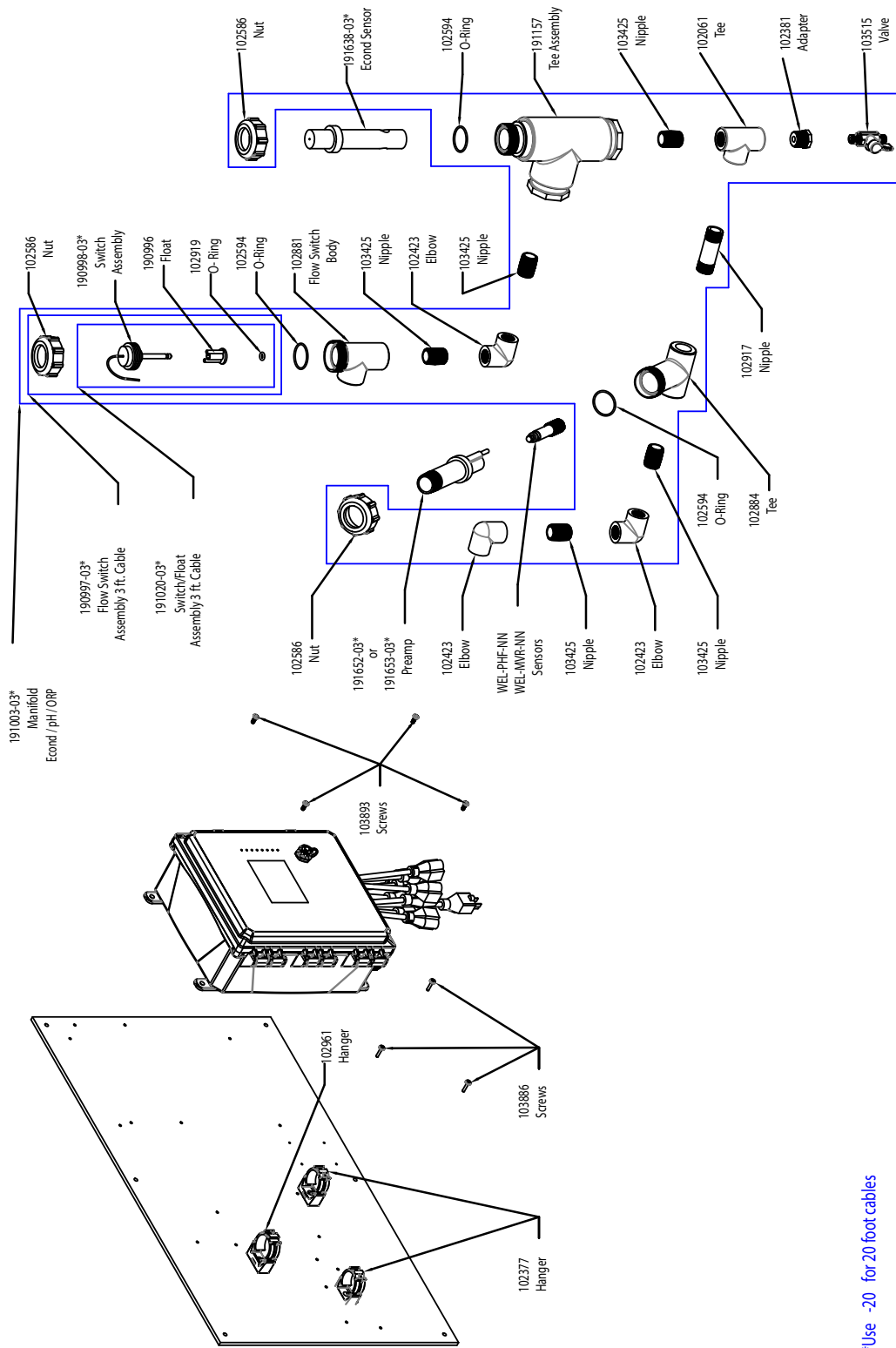
*Use -20 for 20 foot cables

WCT900 Sensor Options PCFMNN, PCHMNN, PCIMNN

PCFMNN: Electrodeless conductivity + LD2 + Flow Switch manifold on panel + pH

PCHMNN: + Rod ORP

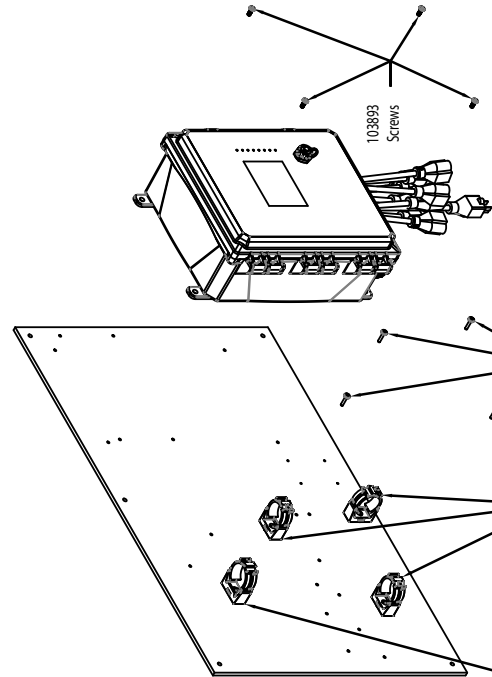
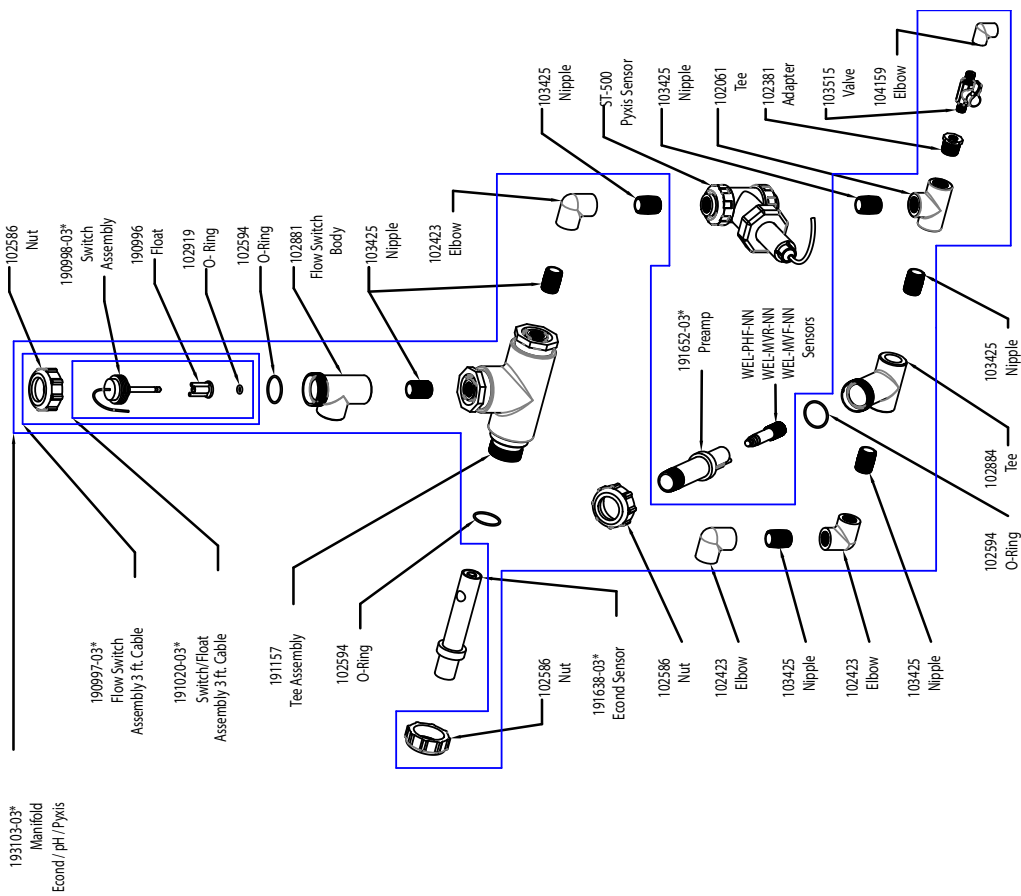
PCIMNN: + Flat ORP



*Use -20 for 20 foot cables

WCT900 Sensor Options PCFNNN, PCHNNN, PCINNN, WIN900 Sensor Option PBENNN

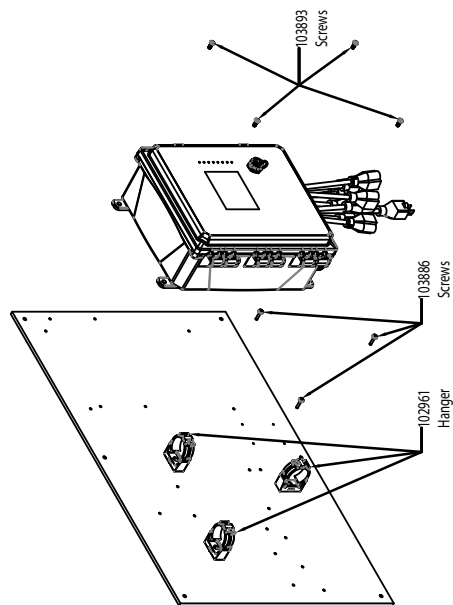
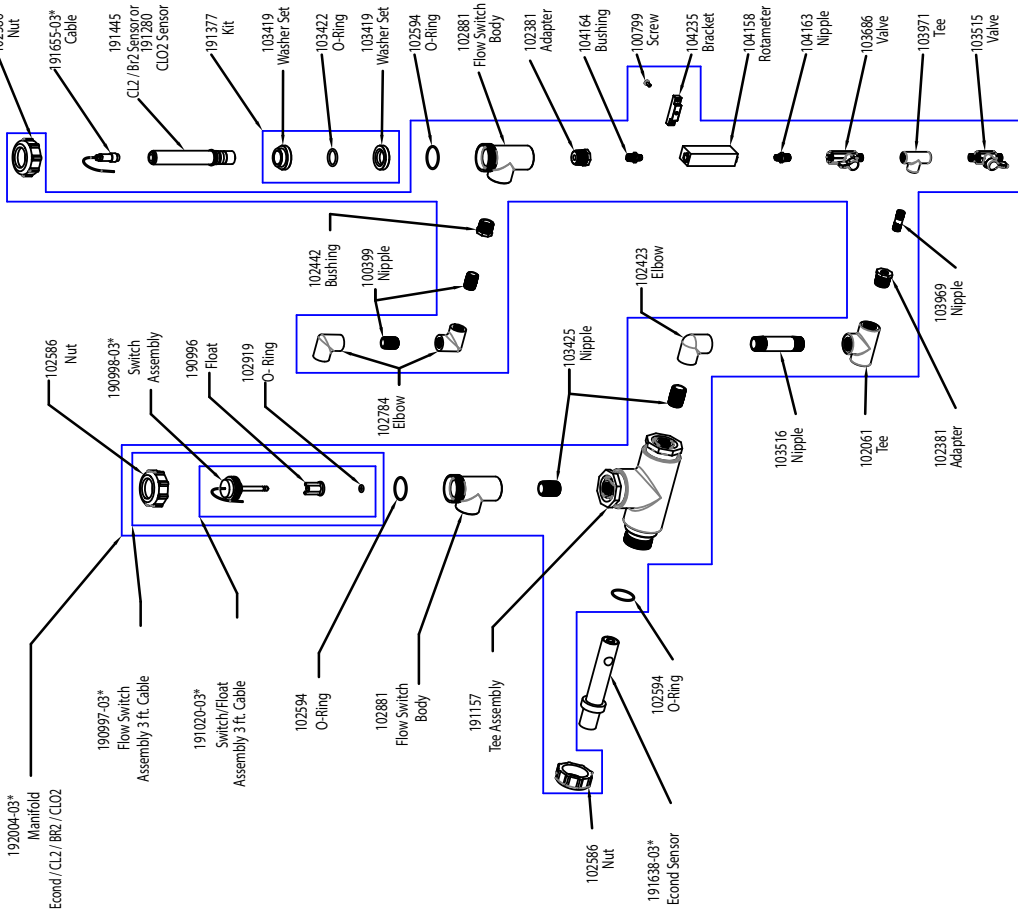
- PCFNNN:** Electrodeless conductivity + Flow Switch manifold on panel + pH
- PCHNNN:** + Rod ORP
- PCINNN:** + Flat ORP
- PBENNN:** Electrodeless conductivity + Flow Switch manifold on panel + pH with ATC



*Use -20 for 20 foot cables

WCT900 Sensor Options PCFPNN, PCHPNN, PCIPNN

- PCFPNN:** Electrodeless conductivity + Pyxis + Flow Switch manifold on panel + pH
- PCHPNN:** + Rod ORP
- PCIPNN:** + Flat ORP



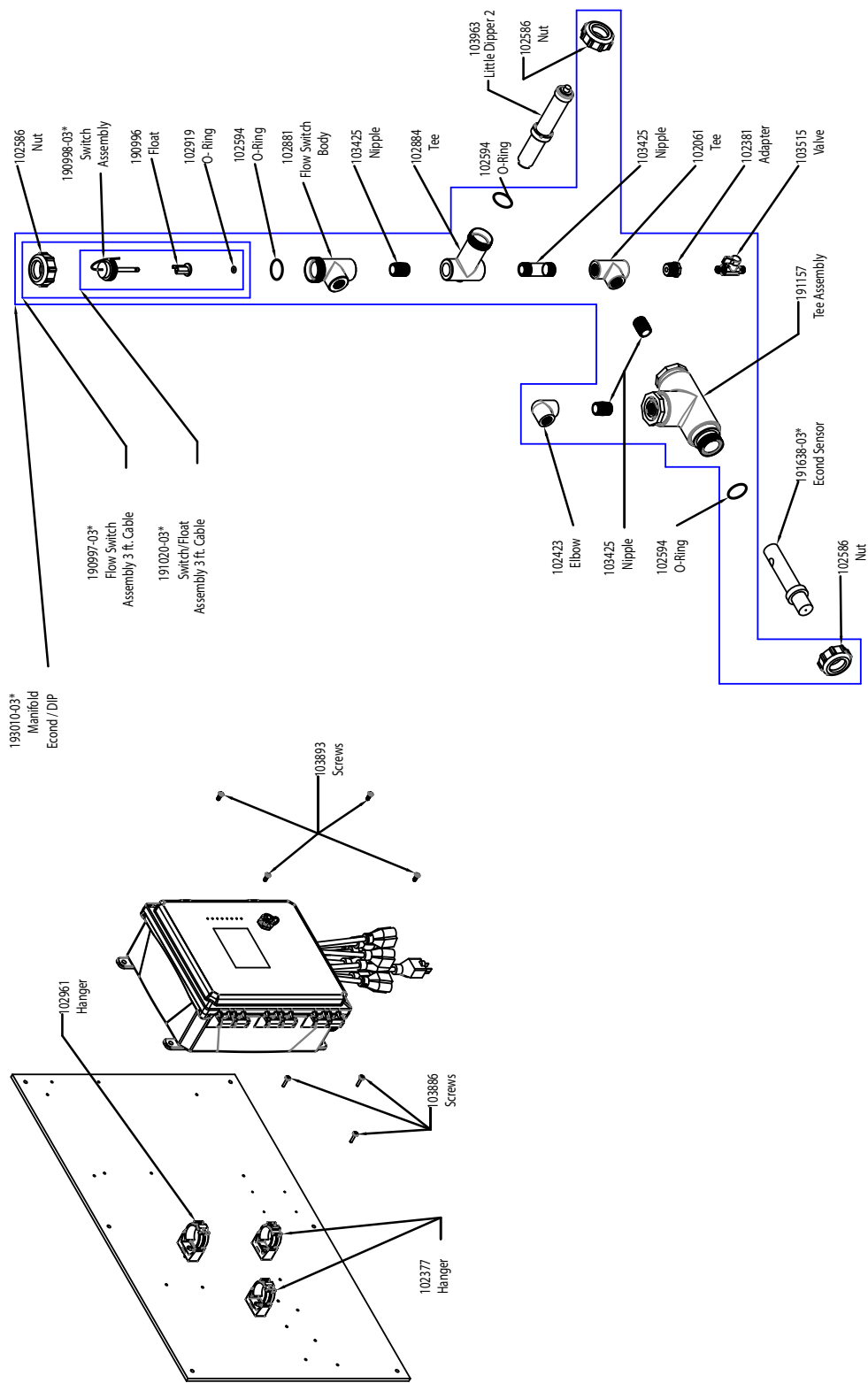
*Use -20 for 20 foot cables

WCT900 Sensor Options PCKNNN, PCLNNN, PCSNNN

PCKNNN: Electrodeless conductivity + Flow Switch manifold on panel + Chlorine

PCLNNN: + Chlorine Dioxide

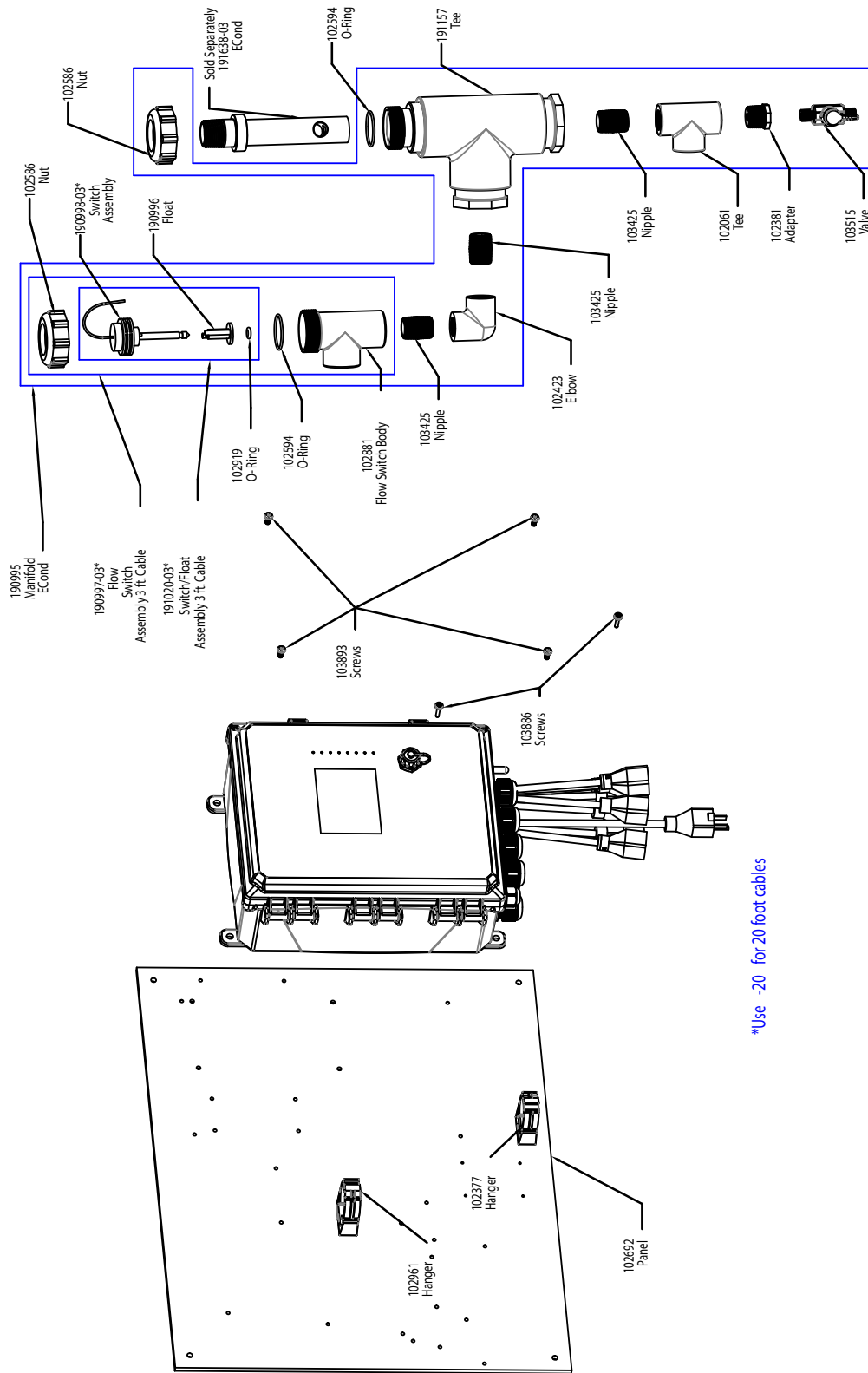
PCSNNN: + Disinfection (no sensor)



*Use -20 for 20 foot cables

WCT900 Sensor Option PCMNNN

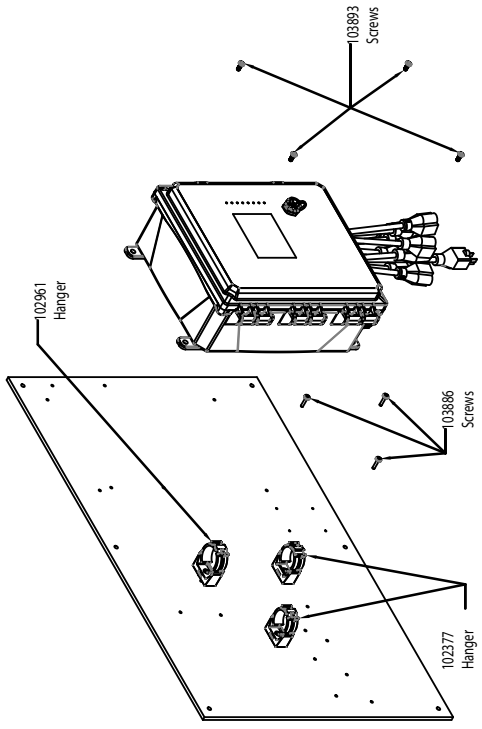
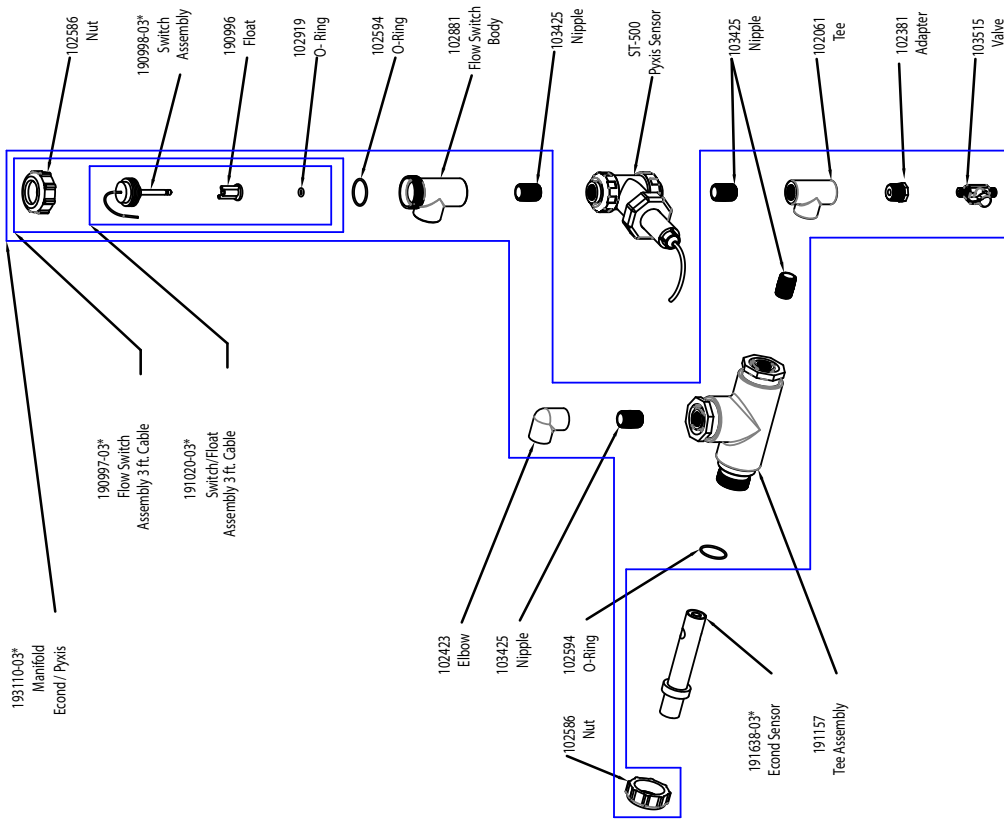
PCMNNN: Electrodeless conductivity + LD2 + Flow Switch manifold on panel



*Use -20 for 20 foot cables

WCT900 Sensor Option PCNNNN

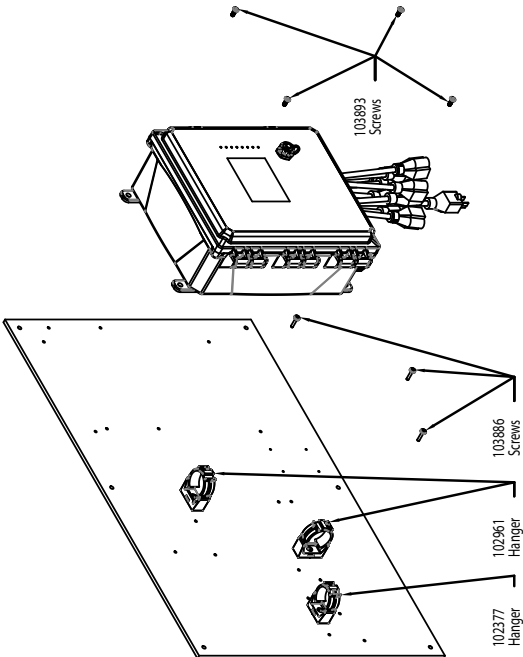
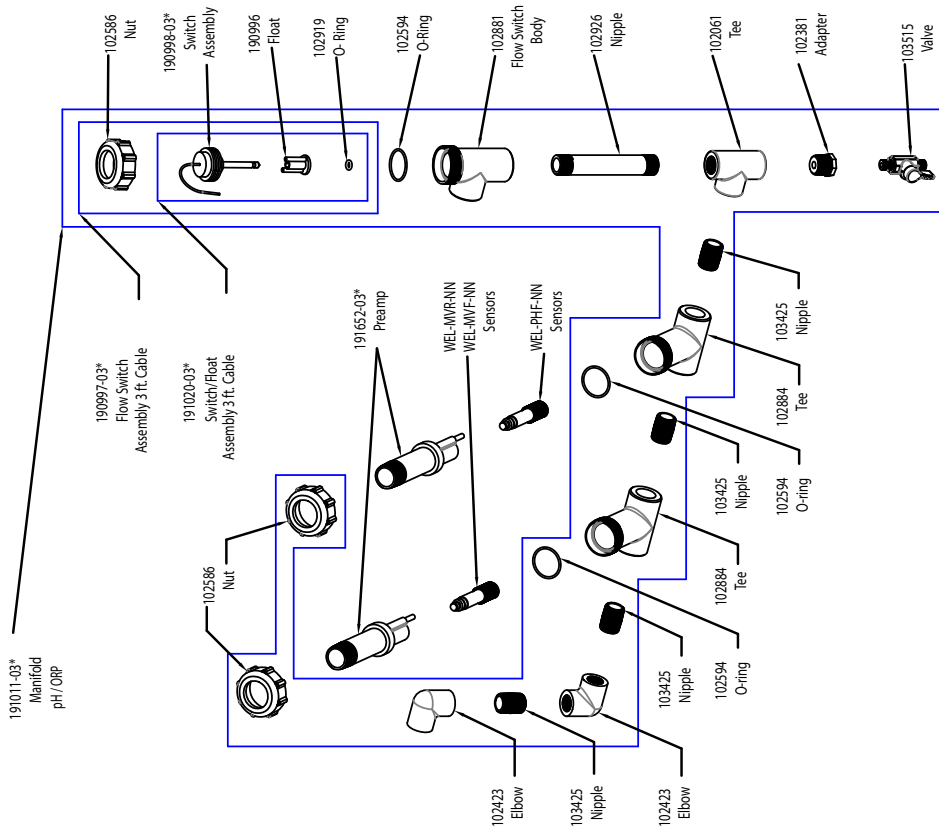
PCNNNN: CPVC electrodeless conductivity + Flow Switch manifold on panel



*Use -20 for 20 foot cables

WCT900 Sensor Option PCPNNN

PCPNNN: Electrodeless conductivity + Pyxis + Flow Switch manifold on panel

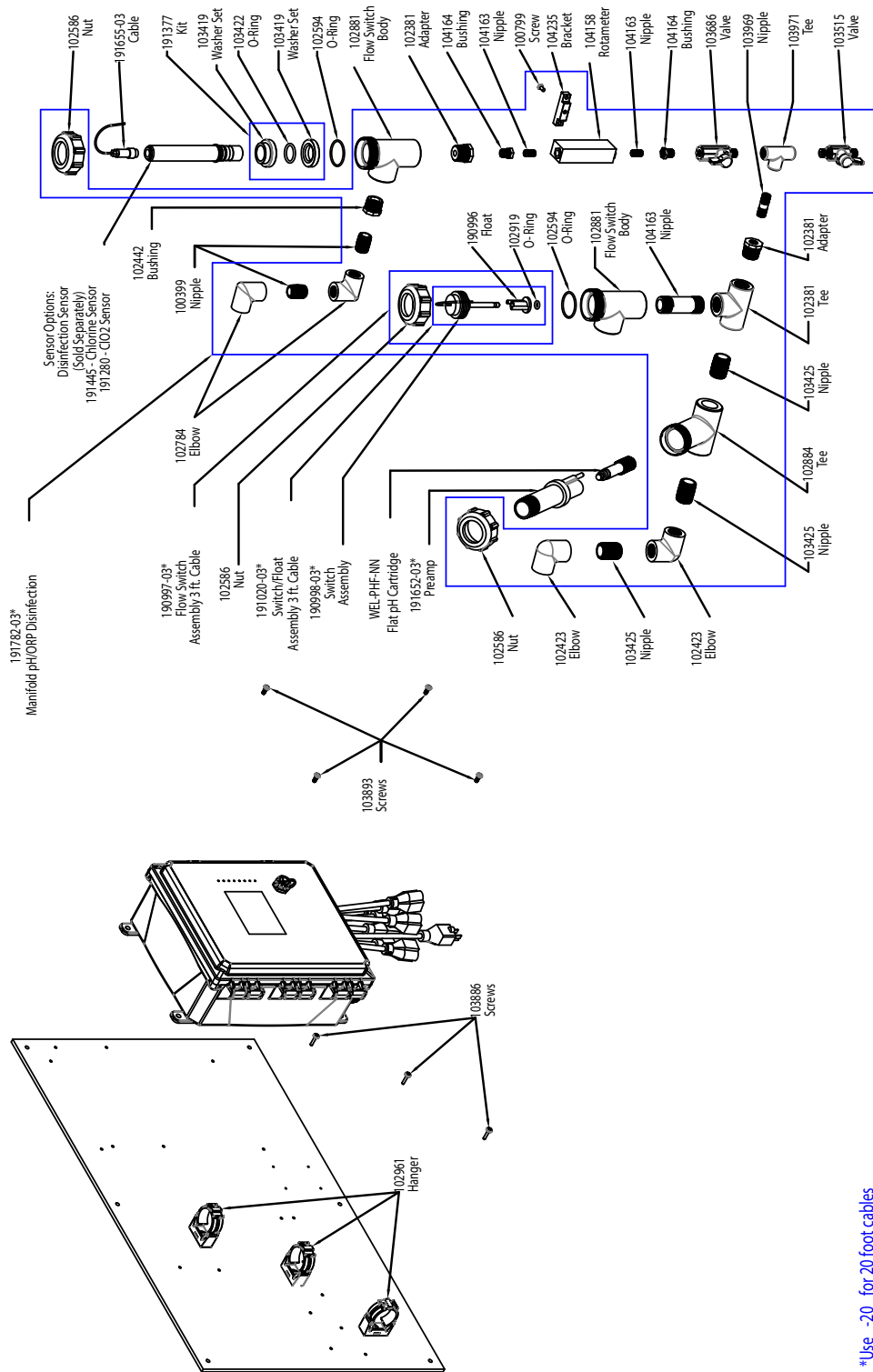


*Use -20 for 20 foot cables

WCT900 Sensor Options PFHNNN, PFINNN

PFHNNN: pH + Flow Switch manifold on panel + Rod ORP

PFINNN: + Flat ORP



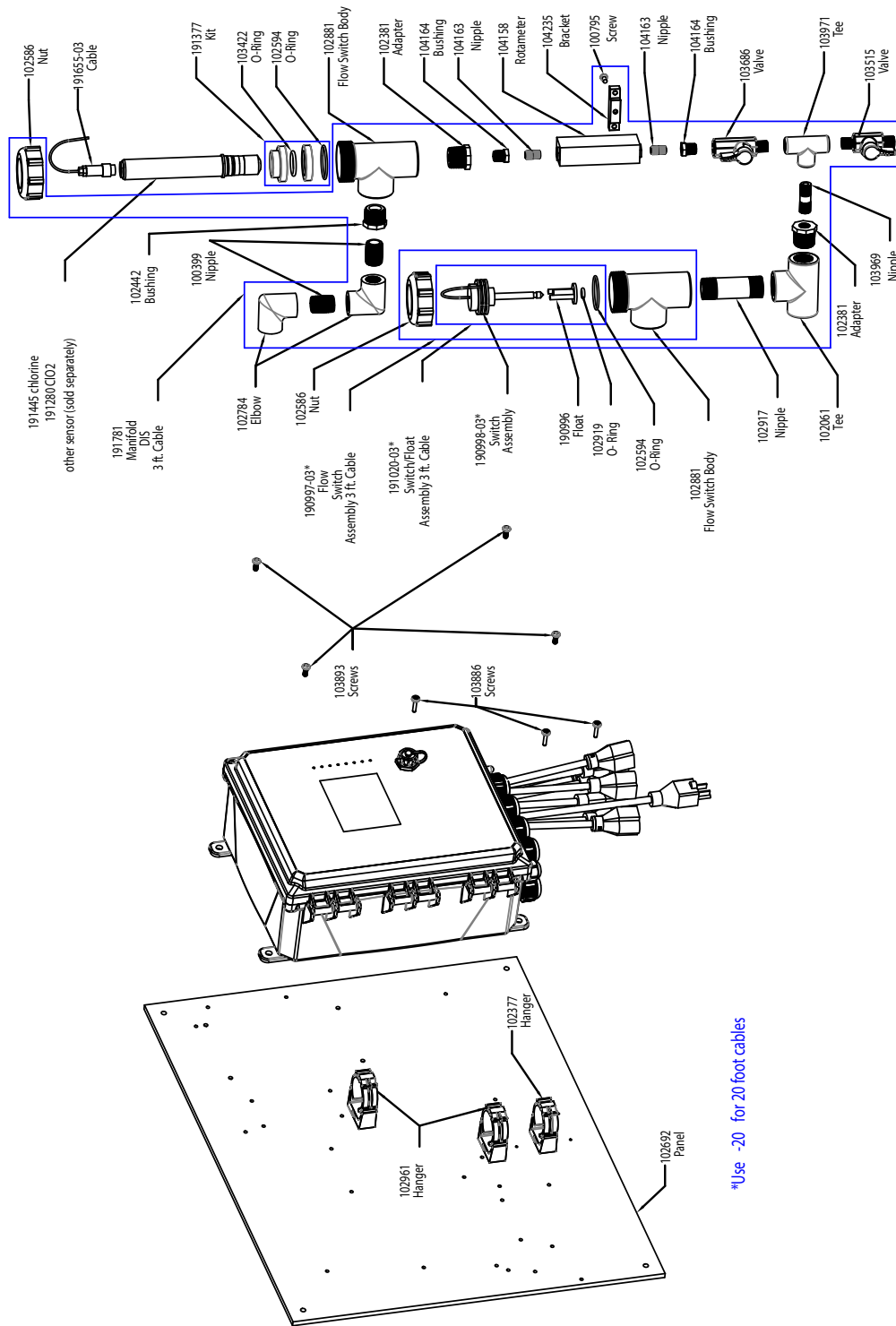
*Use -20 for 20 foot cables

WCT900 Sensor Options PFKNNN, PFLNNN, PFSNNN

PFKNNN: pH + Flow Switch manifold on panel + Chlorine

PFLNNN: + Chlorine Dioxide

PFSNNN: + Disinfection (no sensor)



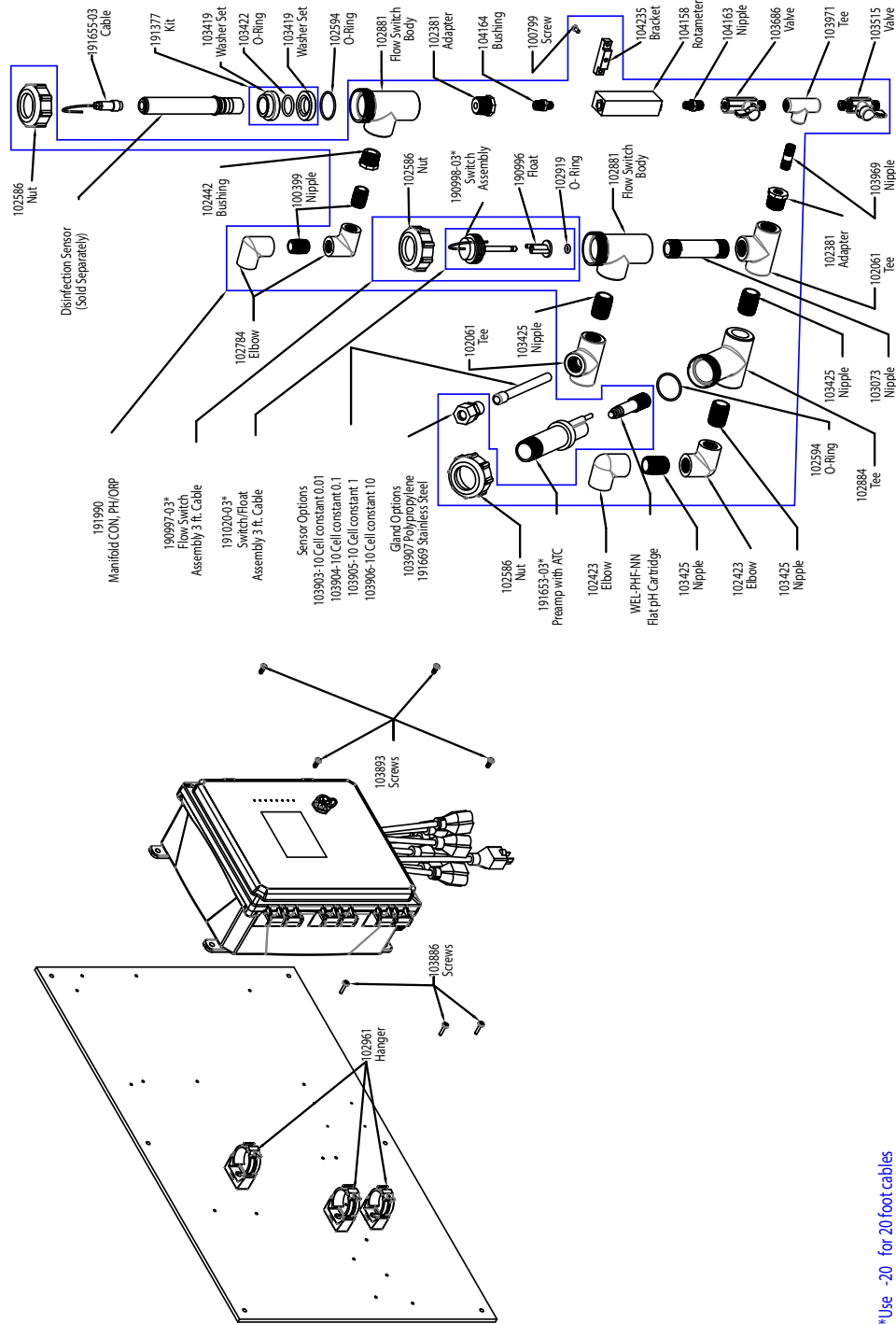
*Use -20 for 20 foot cables

WCT900 Sensor Options PKNNNN, PLNNNN. WIN900 Sensor Option PCNNNN

PKNNNN: Extended pH Chlorine + Flow Switch manifold on panel

PLNNNN: Chlorine Dioxide + Flow Switch manifold on panel

PCNNNN: Disinfection (No Sensor) + Flow Switch manifold on panel



*Use -20 for 20 foot cables

WIN900 Sensor Options PBCFNN, PBCGNN, PBCHNN, PBCINN, PBCJNN, PBCKNN, PBCLNN, PBCMNN

PBCFNN: Flat pH with ATC + Disinfection (No Sensor) + Flow Switch manifold on panel + Cell Constant 1.0 Low Pressure Generic conductivity

PBCGNN: + Cell Constant 0.1 Low Pressure Generic conductivity

PBCHNN: + Cell Constant 10 Low Pressure Generic conductivity

PBCINN: + Cell Constant 0.01 Low Pressure Generic conductivity

PBCJNN: + Cell Constant 1.0 High Pressure Generic conductivity

PBCKNN: + Cell Constant 0.1 High Pressure Generic conductivity

PBCLNN: + Cell Constant 10 High Pressure Generic conductivity

PBCMNN: + Cell Constant 0.01 High Pressure Generic conductivity