

ST-730 Series Inline Turbidity Sensors

Product Description

The ST-730 Series of turbidity sensors are designed for a wide range of turbidity monitoring in various industrial and environmental water applications. Each device is configured with a specific scale for turbidity (NTU) detection while using Warm White Light and InfraRed with a 90° surface scatter optical channel configuration, ranging from as low as 1NTU to as high as 10,000NTU. The ST-730 Series offer a robust sensor platform design with a high tolerance to fouling, particulate and air bubble challenges compared to alternative turbidity meters.

The ST-730 Series offer a combination of 4–20mA as well as RS-485 Modbus output signals and is Bluetooth® 5.0 enabled for wireless cleaning & calibration when used with the MA-WB or Power-PACK Series of Bluetooth® Adapters & the uPyxis® app. The ST-730 Series is provided in CPVC with the standard ST-001 inline 3/4inch FNPT tee assembly, 1.5m bulk-head cable with quick adapter, and a 1.5m flying lead cable with quick adapter for rapid wiring to any microprocessor, PLC or DCS system. The ST-730SS is offered in 304L stainless steel with 3/4inch FNPT ports for high pressure applications.



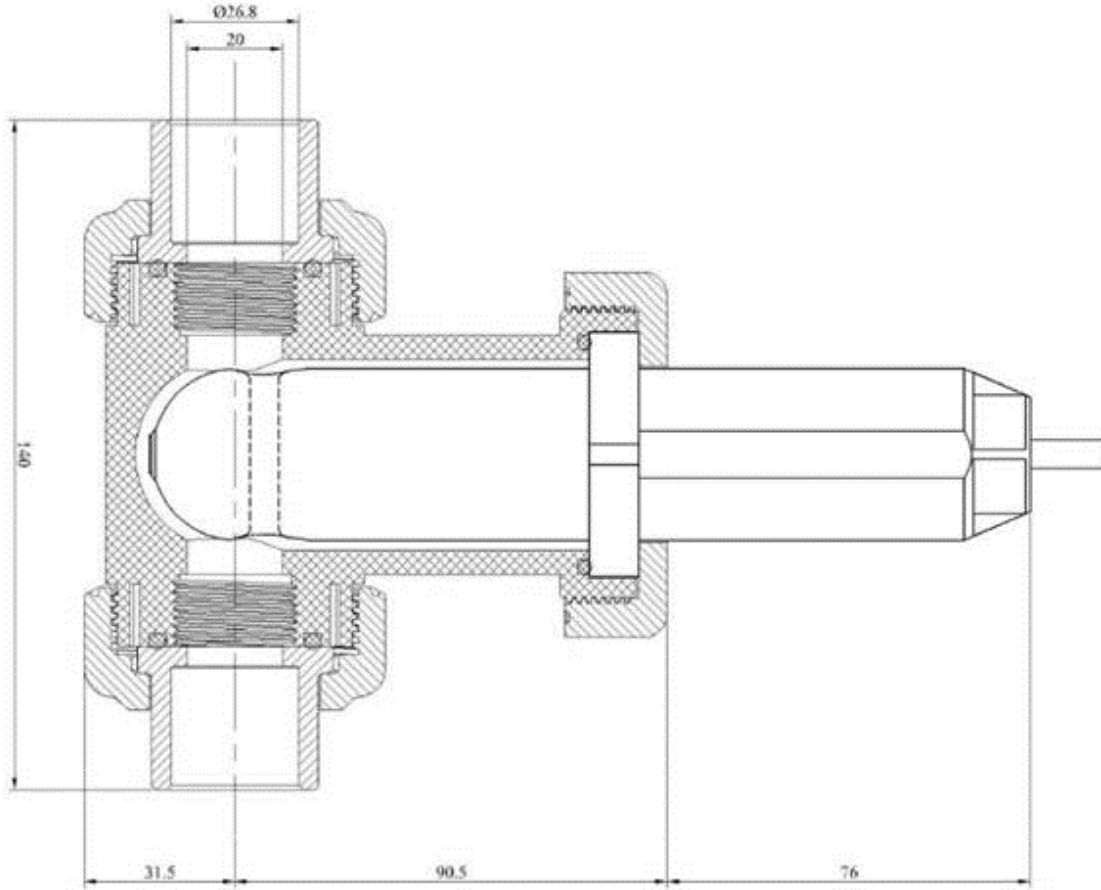
Contact Us at info@pyxis-lab.com for More Information...

Specifications

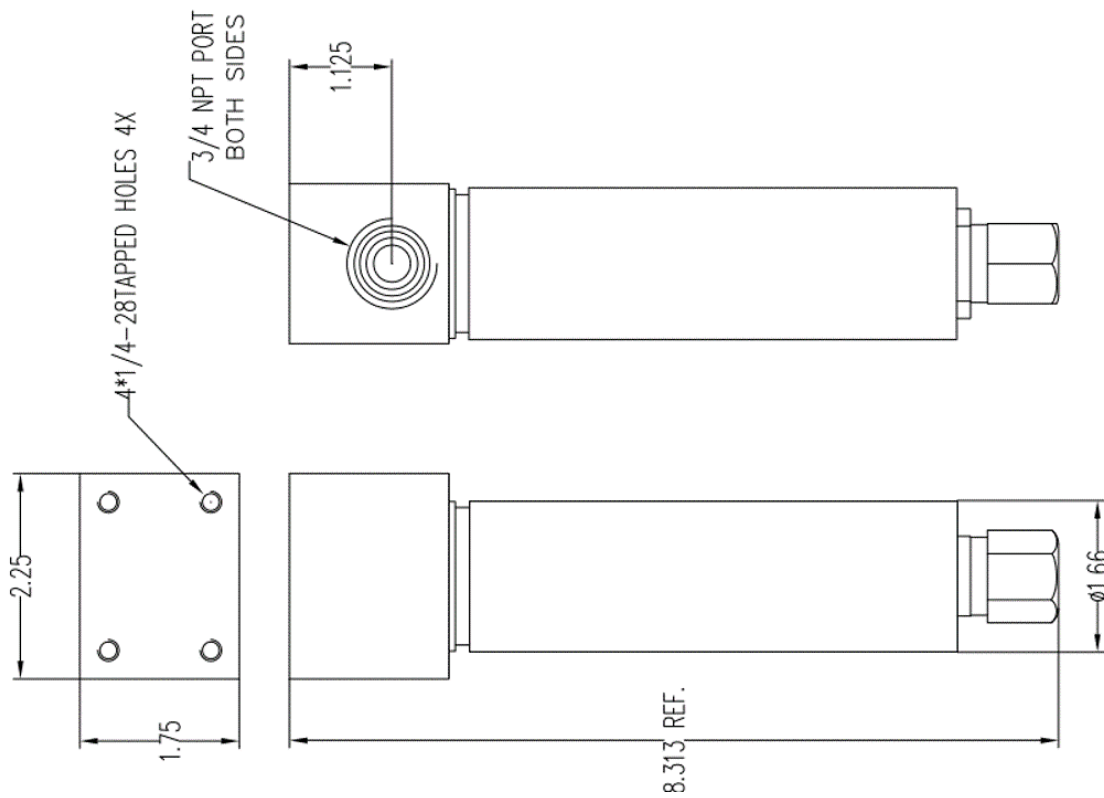
| Item | ST-730 | ST-730B | ST-731 | ST-735 | ST-730SS |
|------------------|--|-----------------------------|----------|-----------------------------|----------------|
| Part Number | 53201 | 53202 | 53505 | 53204 | 50626 |
| Range (NTU) | 0–100 | 0–1,000 | 0–10 | 0–10,000 | 0–100 |
| Resolution (NTU) | 0.1 NTU | 1 NTU | 0.05 NTU | 10 NTU | 0.1 NTU |
| Accuracy | ±2% of Reading | | | | |
| Method | Nephelometric Turbidity Units (NTU) | | | | |
| Light Source | White | White <100 Infrared >100 | White | White <100 Infrared >100 | White |
| Light Format | LED | | | | |
| Power Supply | 22–26VDC, Power Consumption - 1W | | | | |
| Outputs | Isolated - 4–20mA Analog, Isolated RS-485 Digital | | | | |
| Dimension | 6.8in (172.7mm) L, 1.44in (36.6mm) D | | | | |
| Weight | 170g (0.37lbs) | | | | 1,148g (2.5lb) |
| Installation | ST-001 Tee with 3/4in FNPT | | | | 3/4in FNPT |
| Material | UPVC | | | | 304SS |
| Pressure | 100psi (6.9Bar) | | | | 290psi (20Bar) |
| Temperature | Operation 40–120 °F (4–49 °C) \ Storage 20–150 °F (-6–66 °C) | | | | |
| Calibration | Two-Point Calibration against Formazin Standard Solutions | | | | |
| Rating | IP-66 | | | | |
| Regulation | CE / RoHS | | | | |
| Compliance | US-EPA | US-EPA <100 ISO >100 | US-EPA | US-EPA <100 ISO >100 | US-EPA |



ST-730 Assembly Diagram



ST-730SS Diagram



Order Information

Turbidity Calibration Standard - 10NTU (500mL)
 Turbidity Calibration Standard - 100NTU (500mL)
 Turbidity Calibration Standard - 500NTU (500mL)
 Turbidity Calibration Standard - 1,000NTU (500mL)
 MA-WB Bluetooth® Adapter (7-Pin)
 MA-NEB USB Bluetooth® Adapter (Enables uPyxis® Desktop)
 PowerPACK 1 (Single Channel Auxiliary Power Supply with Bluetooth®)
 PowerPACK 4 (Four Channel Auxiliary Power Supply with Bluetooth®)
 ST-001 Tee Assembly Spare (3/4in FNPT Inline Tee)
 Sensor Cleaning Kit (500mL + Accessories)
 MA-C10 (10ft 7-Pin Extension Cable)
 MA-C50 (50ft 7-Pin Extension Cable)

Part Number

57010-4
 57010
 57010-2
 57010-3
 MA-WB
 MA-NEB
 MA-BLE-1
 MA-BLE-4
 50704
 SER-01
 50738
 50705

Cleaning & Calibration

Pyxis Lab® recommends cleaning and calibrating the ST-730 Series inline sensors at a minimum frequency of once per month. For clean water applications this period may be increased. For heavily contaminated applications, diagnosis, cleaning and calibration may be considered more frequently.

When powered by and connected to the MA-WB (7-Pin) or PowerPACK Series Bluetooth® Adapter options, the ST-730 Series can be wirelessly accessed from any mobile or desktop device using uPyxis®. The app features a live graphical display of the sensors value outputs for Turbidity as well as a sensor calibration function. Once the sensor is properly cleaned it can then be calibrated with Pyxis Lab® Turbidity Calibration Solutions. Contact service@pyxis-lab.com for support...

Calibration & Diagnostics made easy with uPyxis® App

www.pyxis-lab.com/upyxis-app

